

URBAN DRAPERY HARDWARE INSTALLATION INSTRUCTIONS

WALL MOUNT

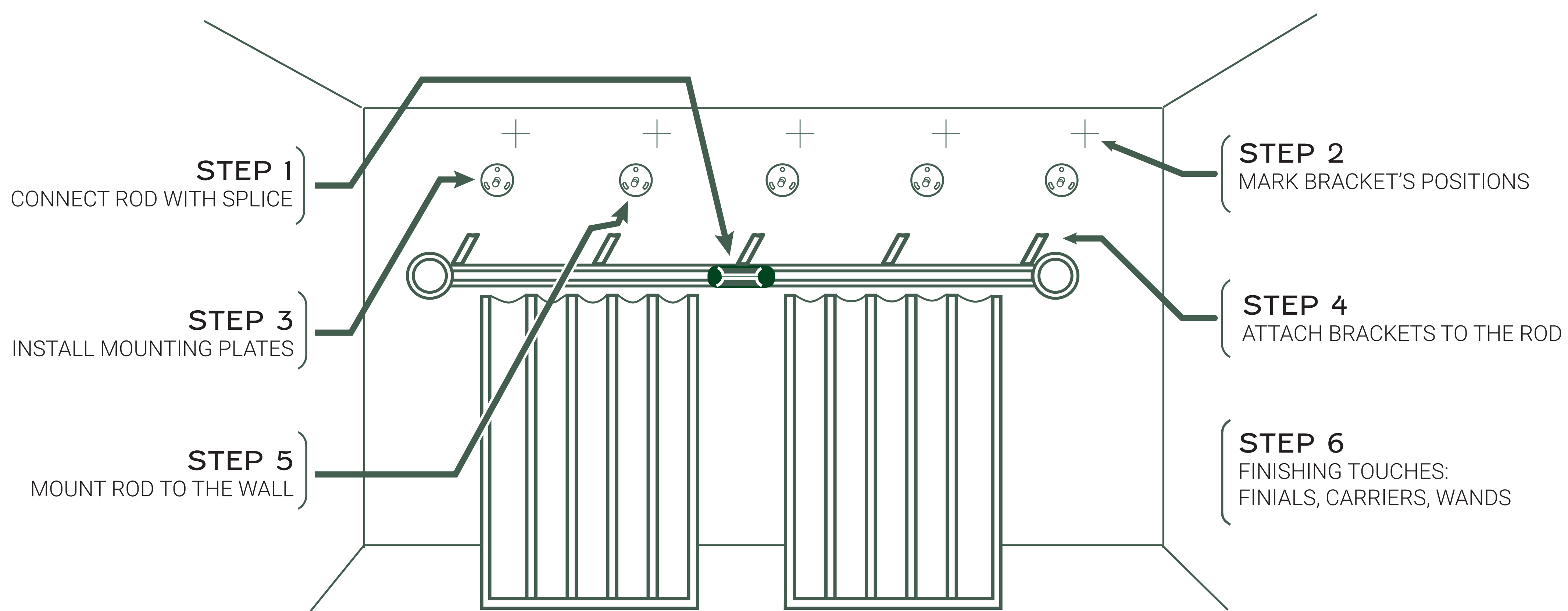
FIRST TIME INSTALLING DRAPES?

DON'T WORRY, WE'LL WALK YOU THROUGH THE WHOLE PROCESS. JUST FOLLOW THESE SIMPLE STEPS AND YOU'RE NEARLY THERE.


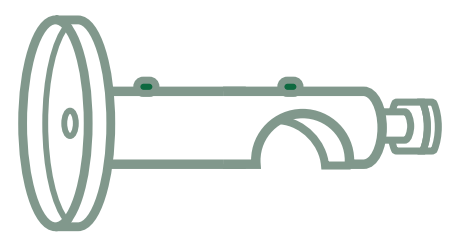

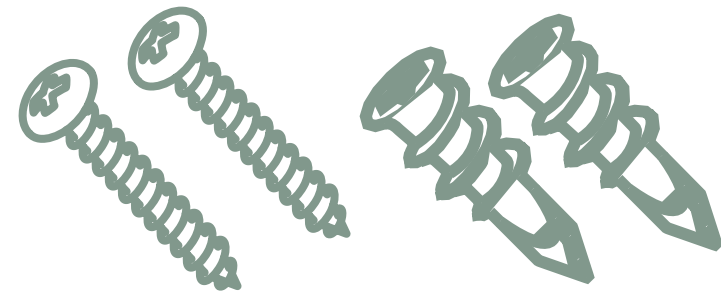
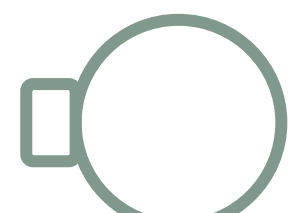

NEED MORE
INFORMATION?




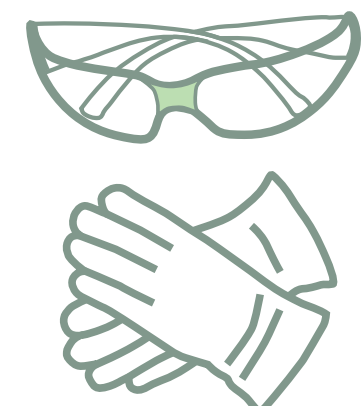

INSTALLATION AT A GLANCE



PARTS YOU GET

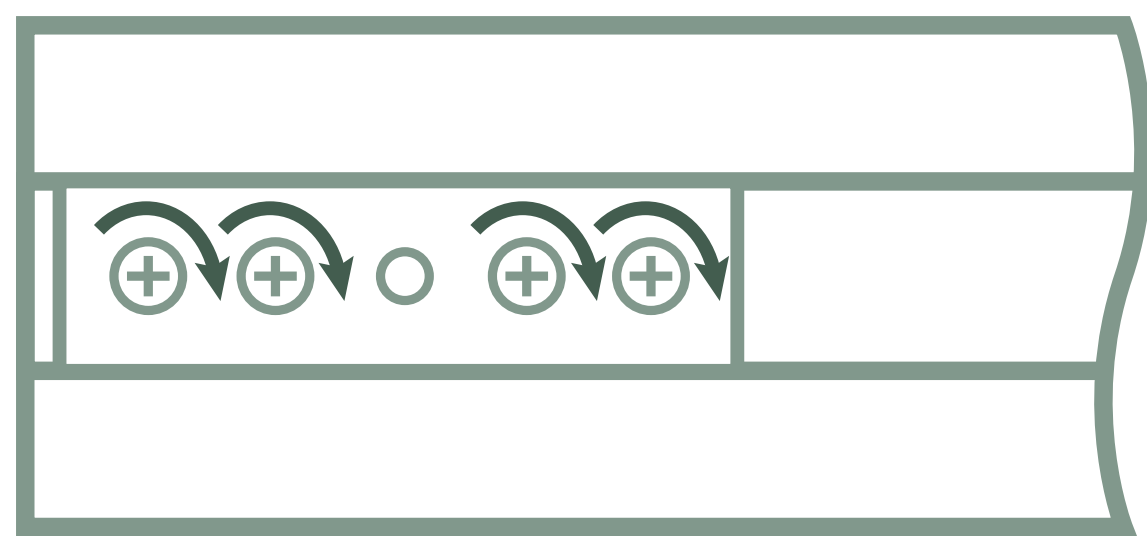
DRAPERY ROD 	WALL BRACKETS 	ALLEN KEYS 
SCREWS & ANCHORS 	PREINSTALLED ON THE ROD	
FINIALS 	SPLICE 	

TOOLS YOU WILL NEED

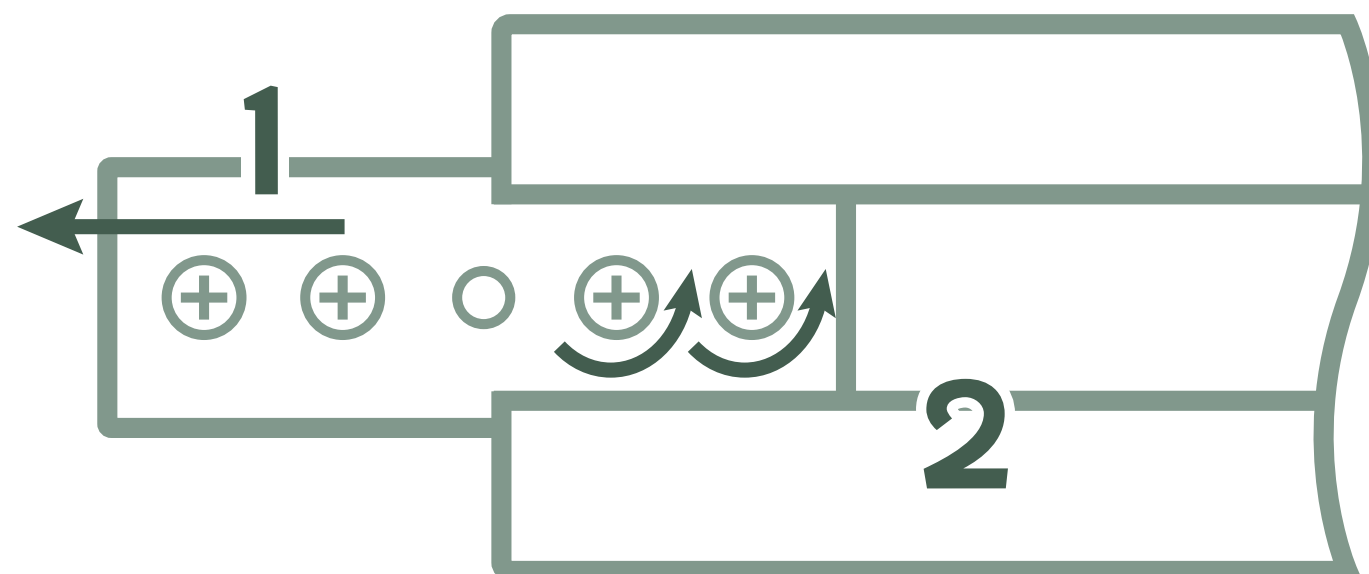
DRILL, PHILLIPS & DRILL BITS 	STEP STOOL 	TAPE MEASURE 	STUD FINDER (OPTIONAL) 
LEVEL (OPTIONAL) 	PEN OR PENCIL 	PROTECTIVE GEAR 	PLIERS (OPTIONAL) 

STEP 1 CONNECTING ROD WITH SPLICE (OPTIONAL)

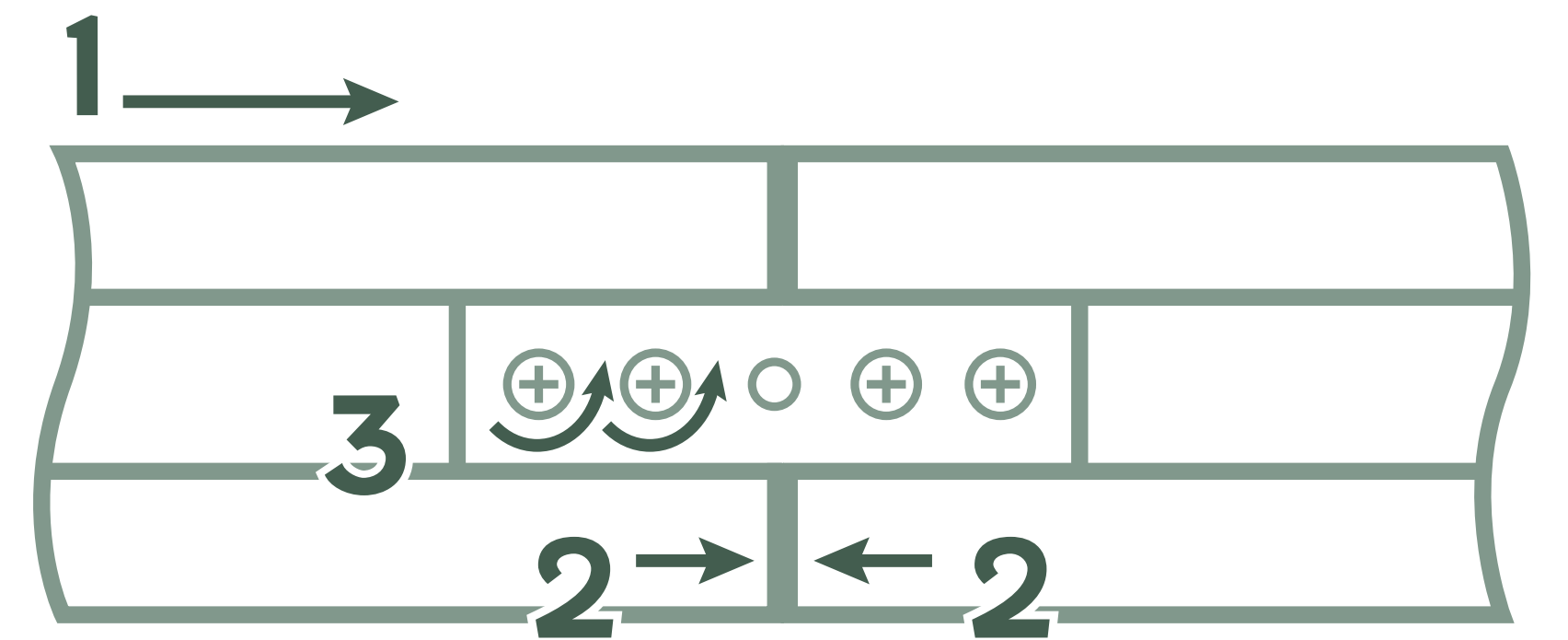
1 Loosen the screws on the preinstalled splice. If installed, disconnect the wall bracket arm first.



2 Move the splice halfway out (1) and tighten the screws (2).



3 Connect the second rod half (1) so ends are touching together (2) and tighten the screws (3).



STEP 2 MARKING BRACKET PLACEMENT - WALL MOUNT



- The end brackets should be placed about 3-4 inches from the track ends.
- If you have a splice, set bracket mark at the exact splice center (option A) or on each side of the splice (option B), about 1-2 inches from the splice.
- Spread the rest of the brackets along the track, 20-24 inches apart (suggested distance).
- It is OK to space brackets unevenly to catch a wall stud.

1 Find the Suggested Rod Height and the Track Width on your invoice.

RIPPLE FOLD DRAPERY

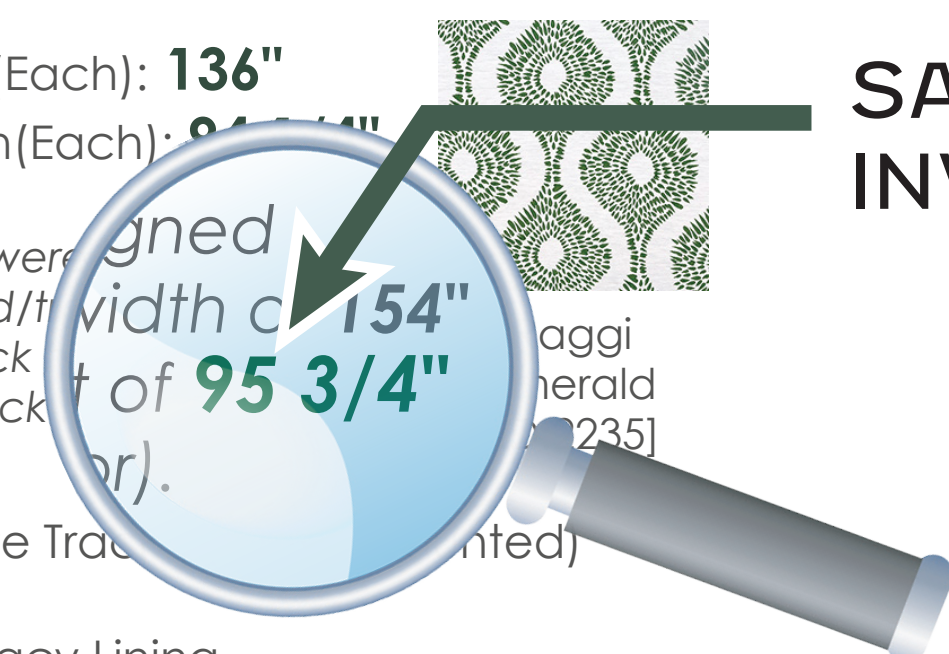


Drape Width(Each): 136"
Drape Length(Each): 95 3/4"
These drapes were designed assuming a rod/track width of 154" (top of rod/track).

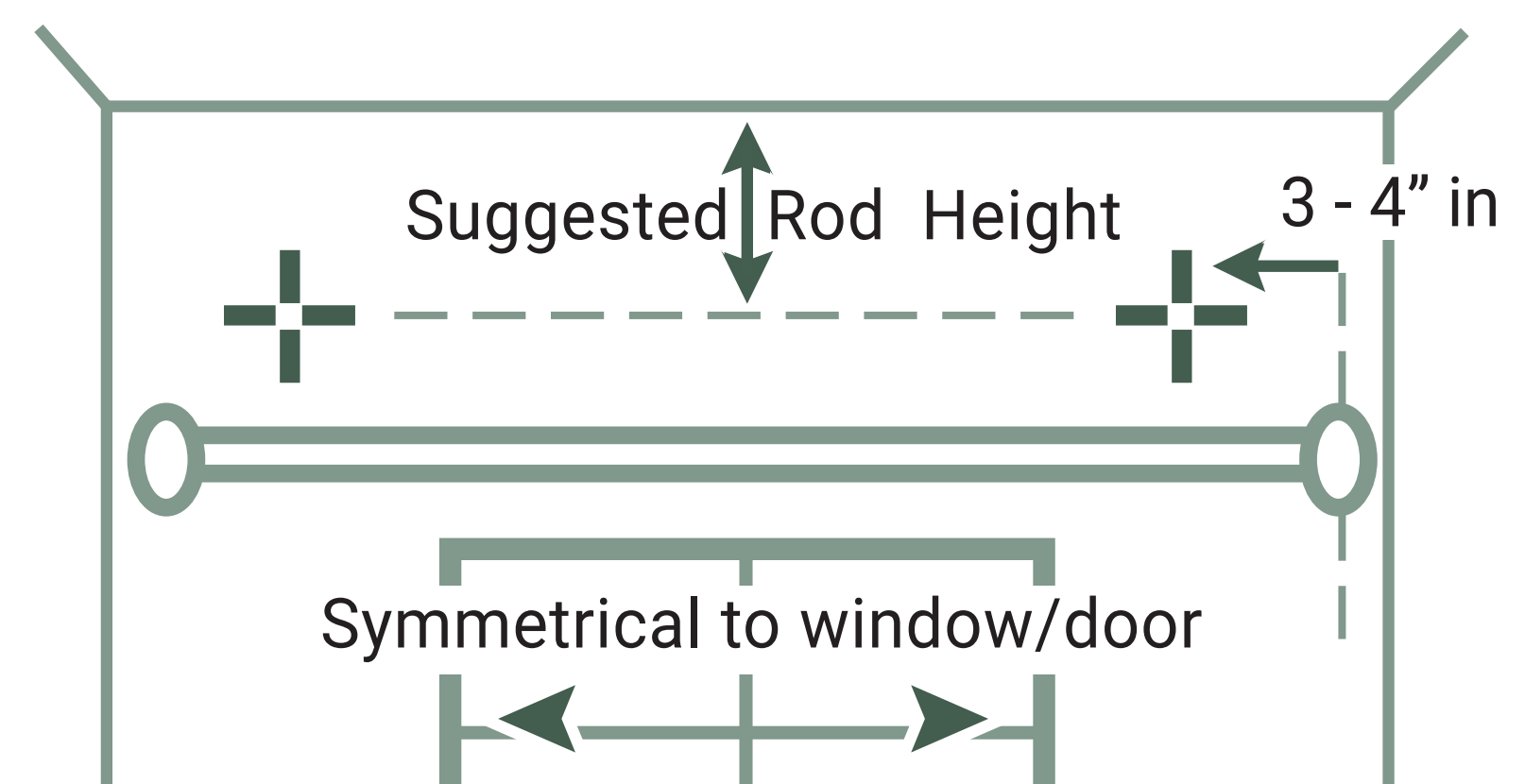
PAIR

- **Hardware:** 154" White Track (not included) - Wand Draw
- **Lining:** Premium Privacy Lining
- **Draperies Wands:** 30 in. White Wand (x 2)

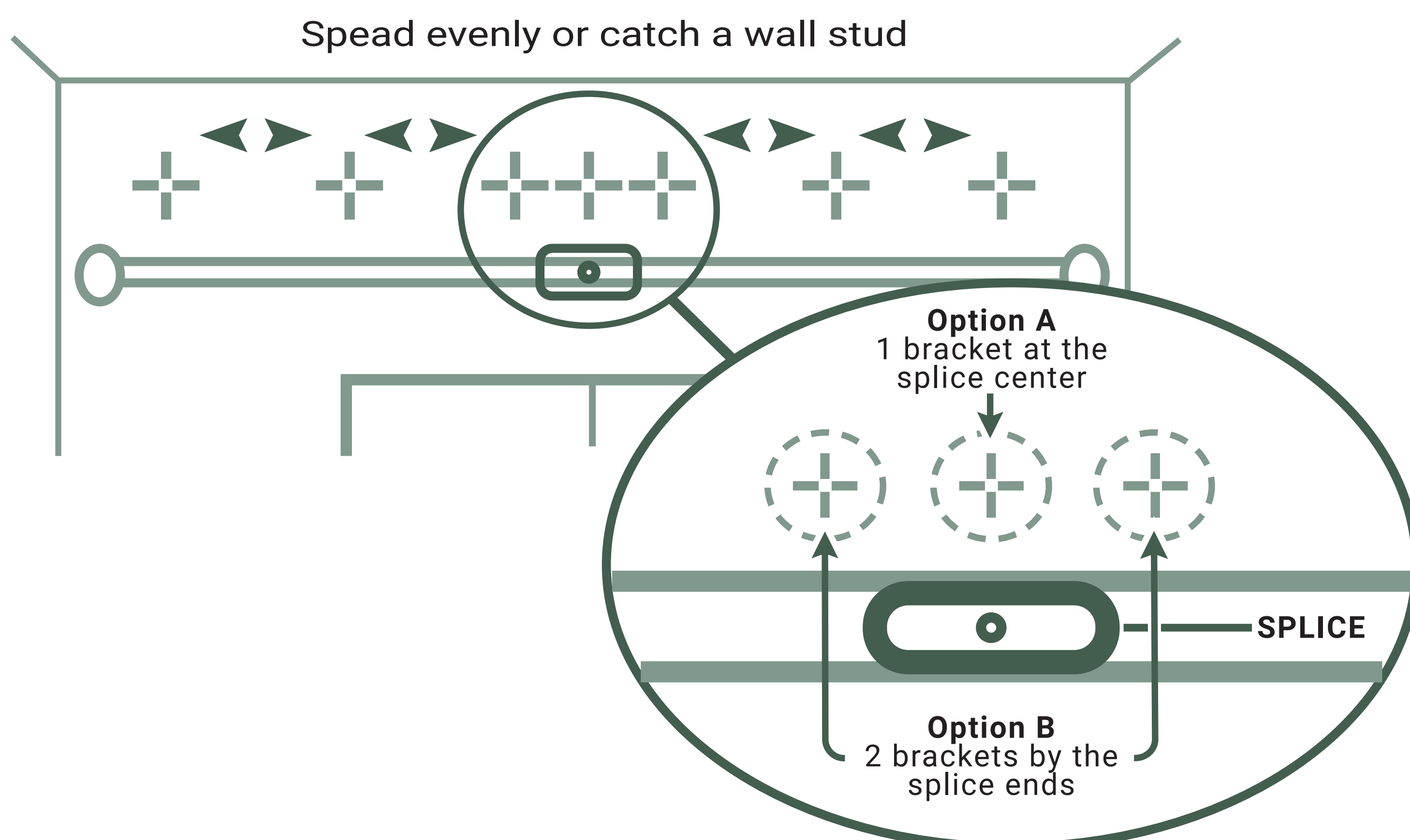
SAMPLE INVOICE



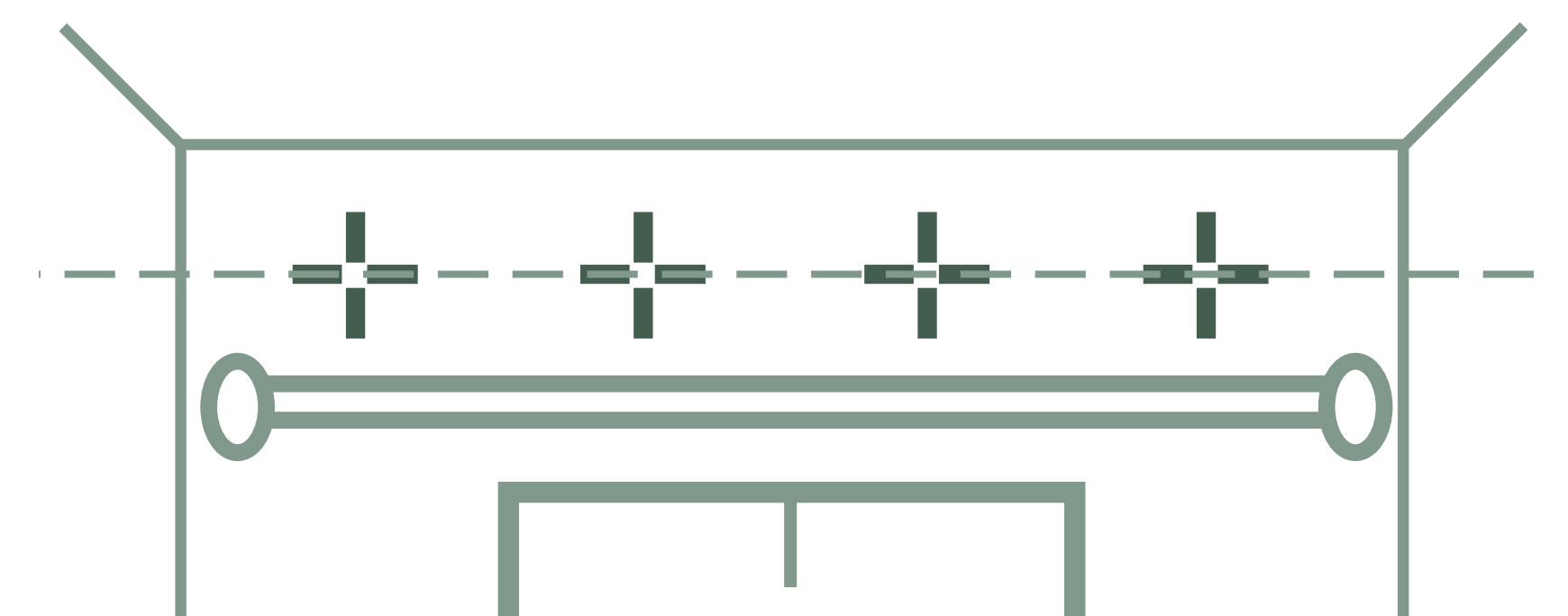
2 Put the end brackets marks at the suggested height, symmetrical to the window, and 3-4 inches from the rod ends.



3 Choose either Option A or Option B for the center splice bracket(s) mark(s). Spread the other marks evenly between the two end marks. If needed, move them to catch a wall stud. Use a stud finder if needed.

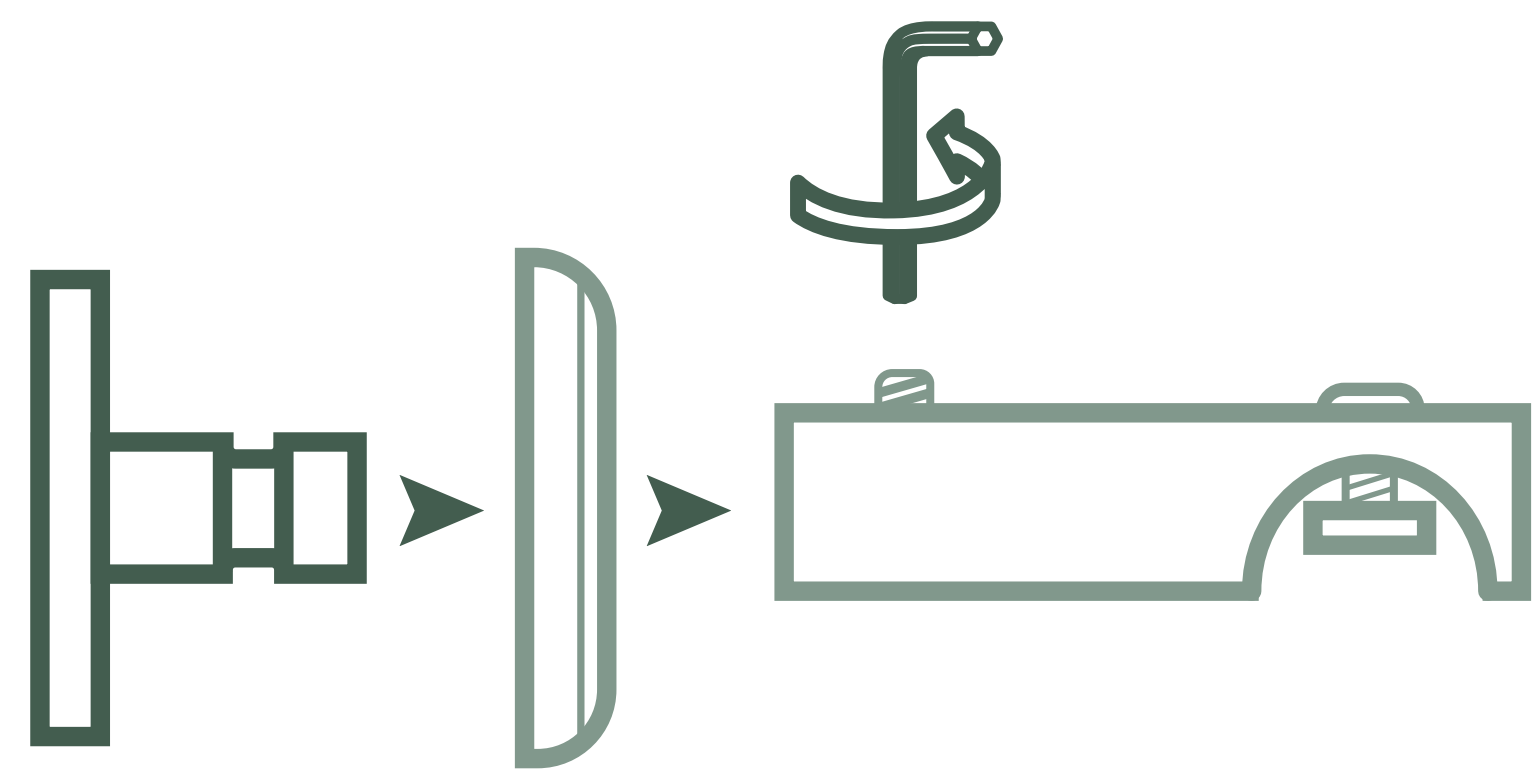


4 Make sure that all marks are placed in a straight line. Use a level if needed.



STEP 3 INSTALLING MOUNTING PLATES

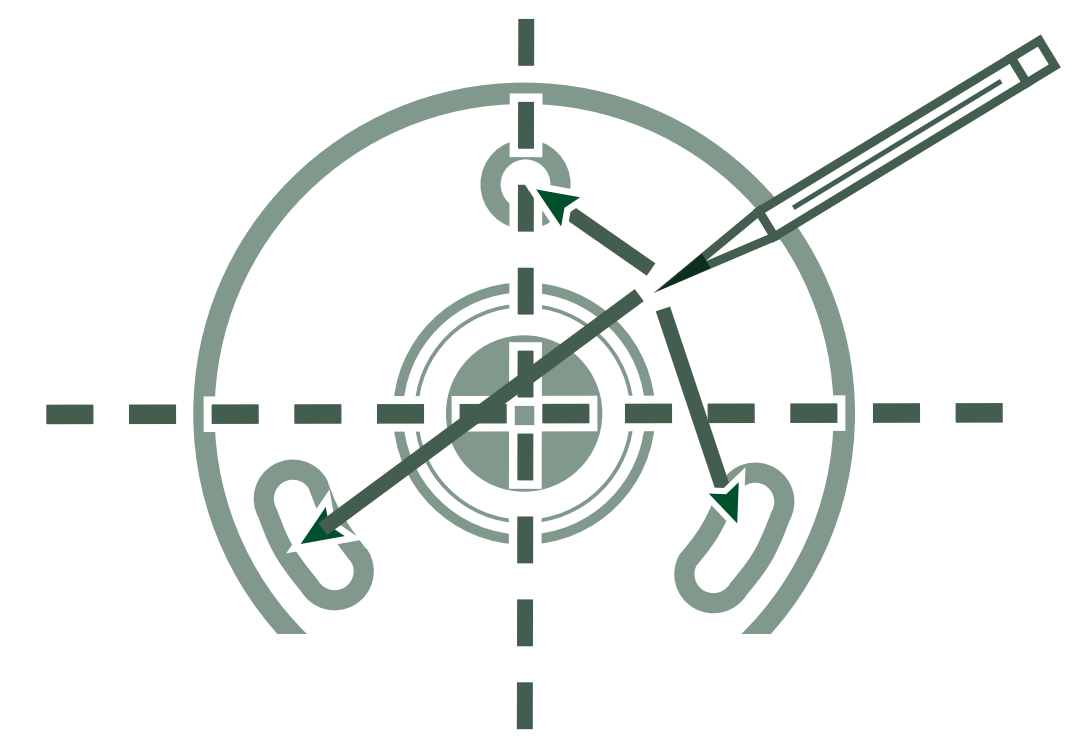
1 Using the Allen key, detach the bracket arm and the cover from the mounting plate.



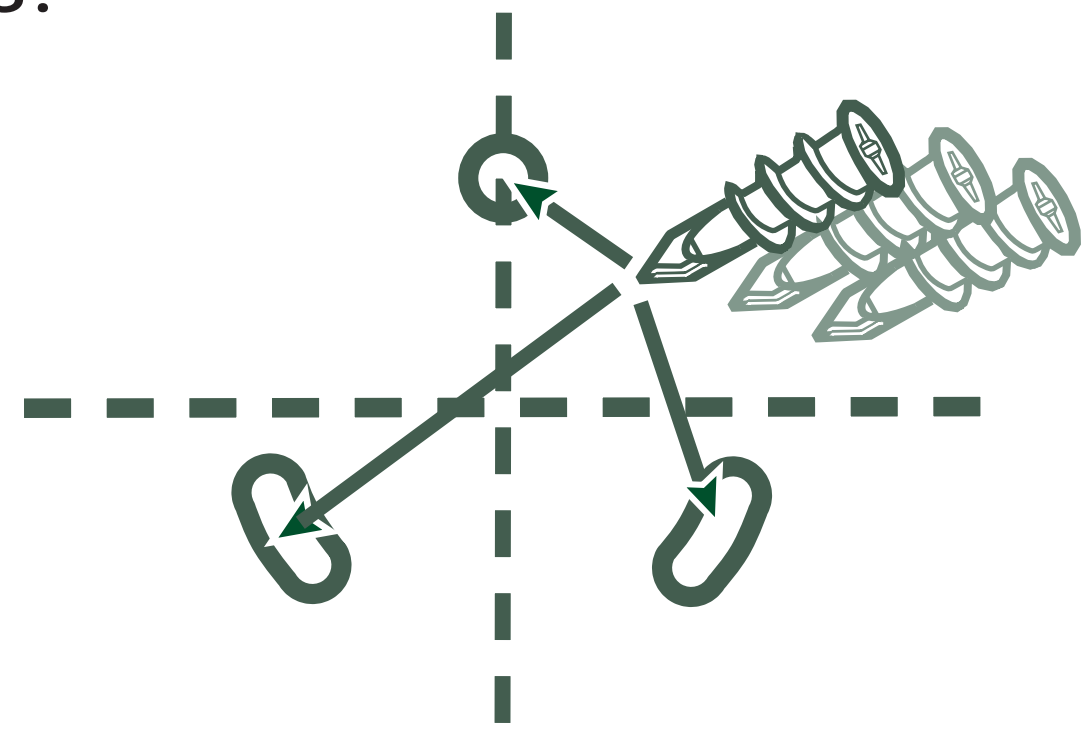
2 Place the mounting plate center of on the mark.



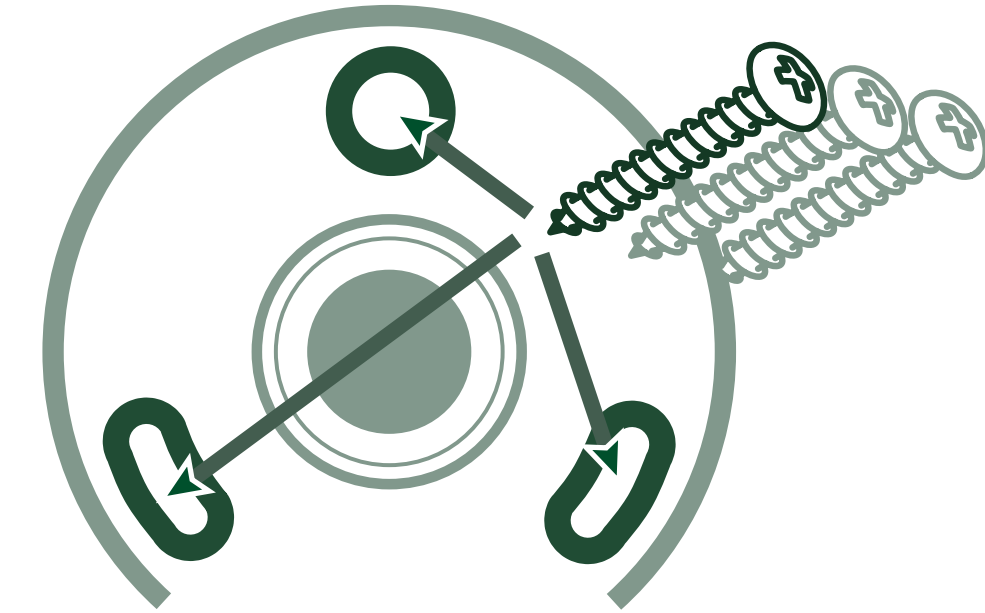
3 Use holes to mark the position for screws or anchors.



4 If needed, install the anchors or pre-drill the holes.



5 Screw in the mounting plate.



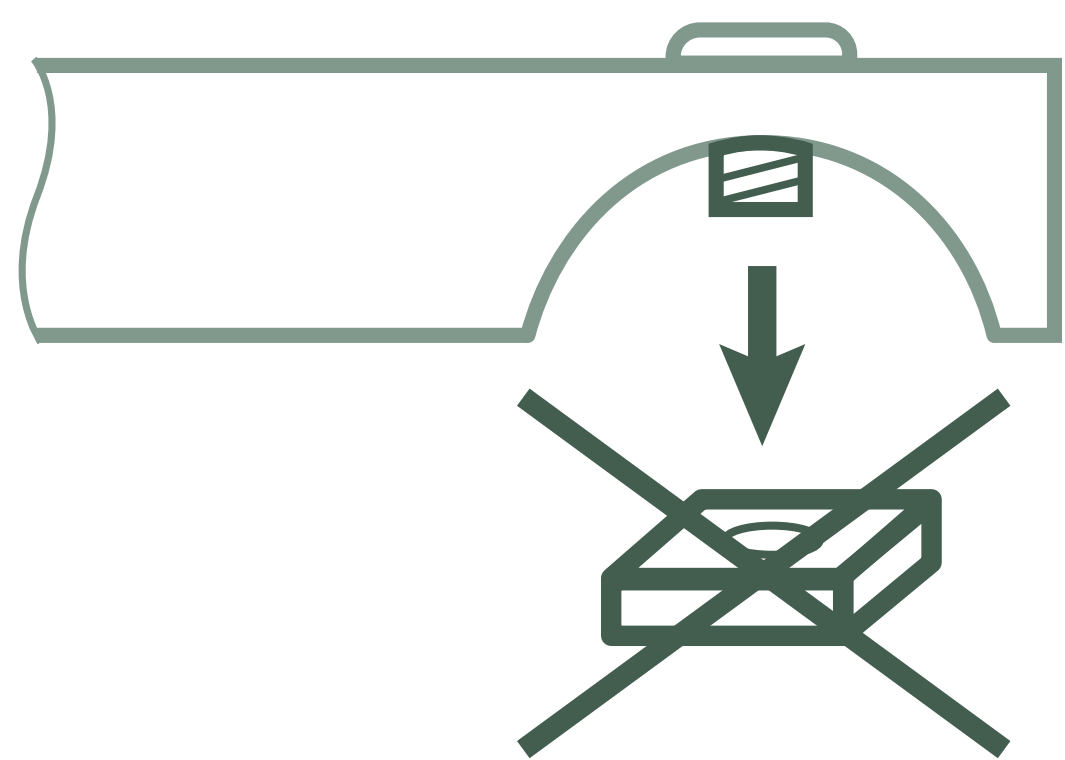
STEP 4 ATTACHING BRACKETS TO THE ROD



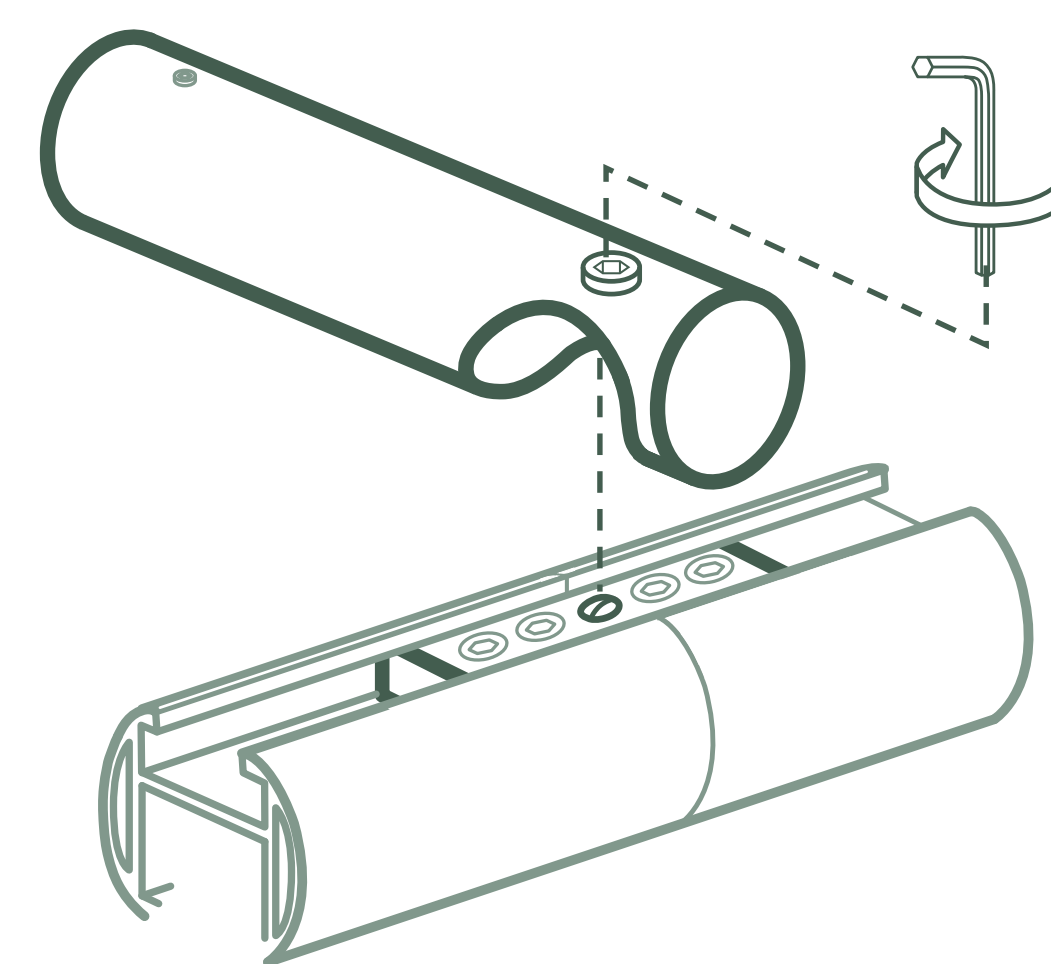
- Remove one or both finials before attaching brackets to the rod.
- If center bracket will be installed on the splice (option A) - start from Step 1, otherwise, (option B) - start from Step 3.

Option A only - Single bracket at the splice center

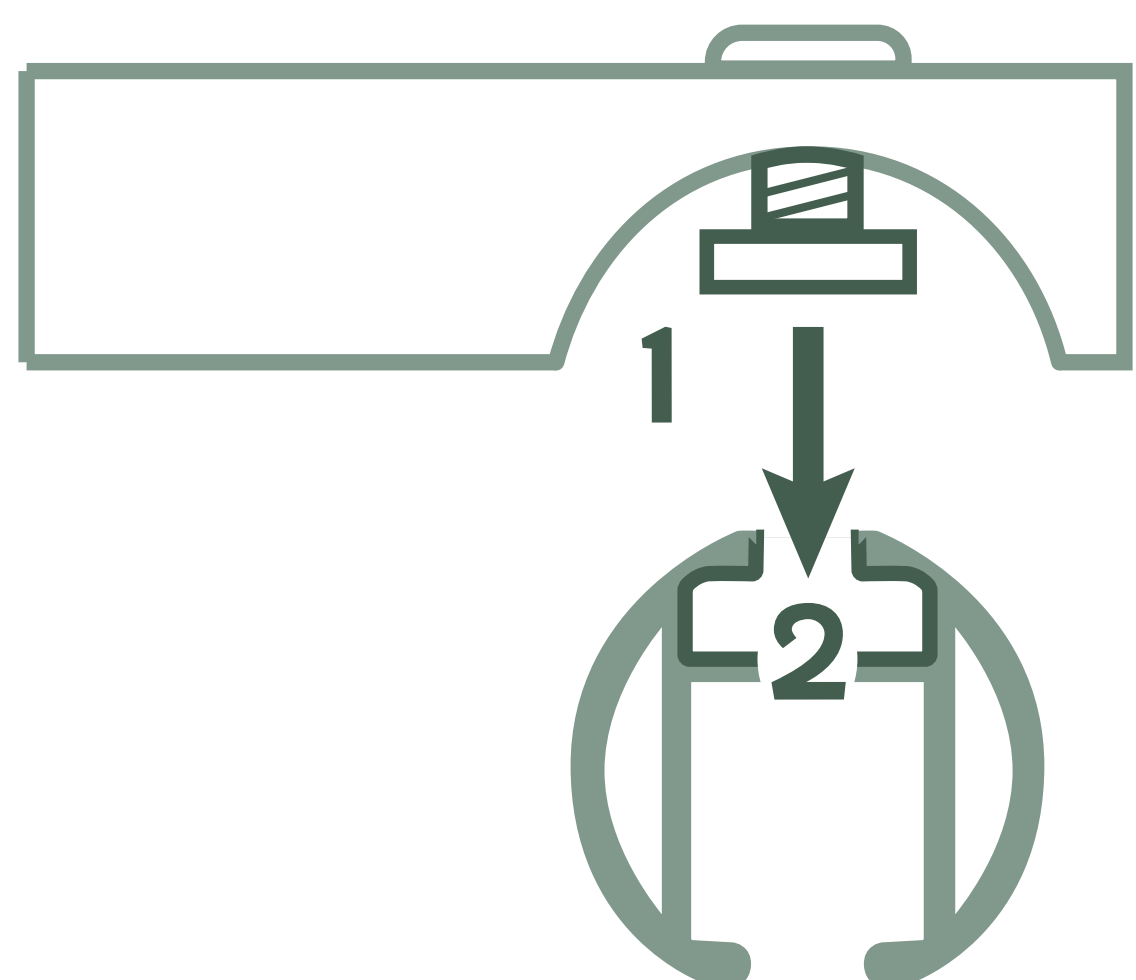
1 Remove the square nut (1) from the center bracket's front screw.



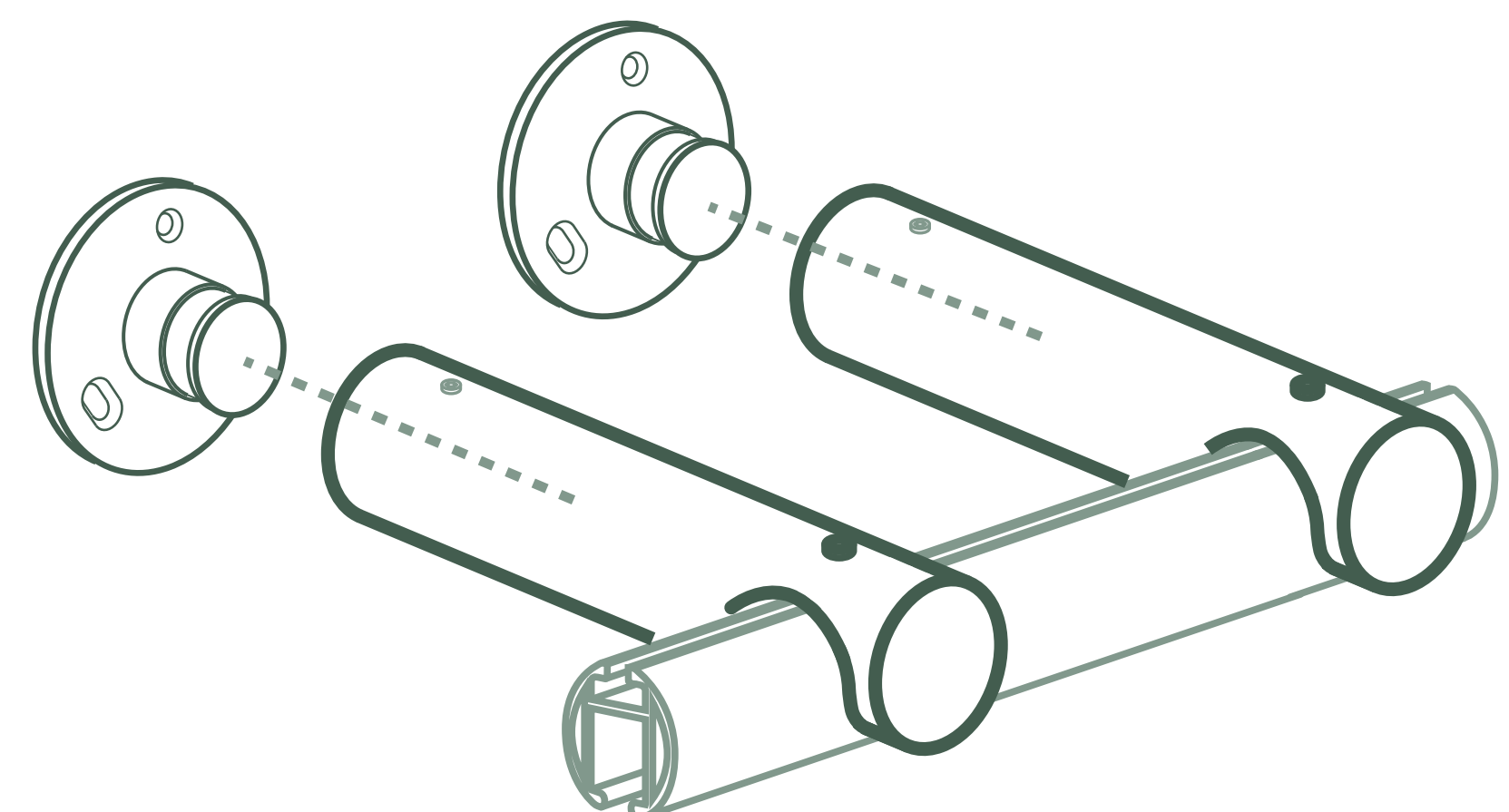
2 Fasten the bracket's front screw to the splice's center (threaded) hole.



3 For the rest of the brackets, slide in the square nut (1) on the bracket's front into the rod's top channel (2).

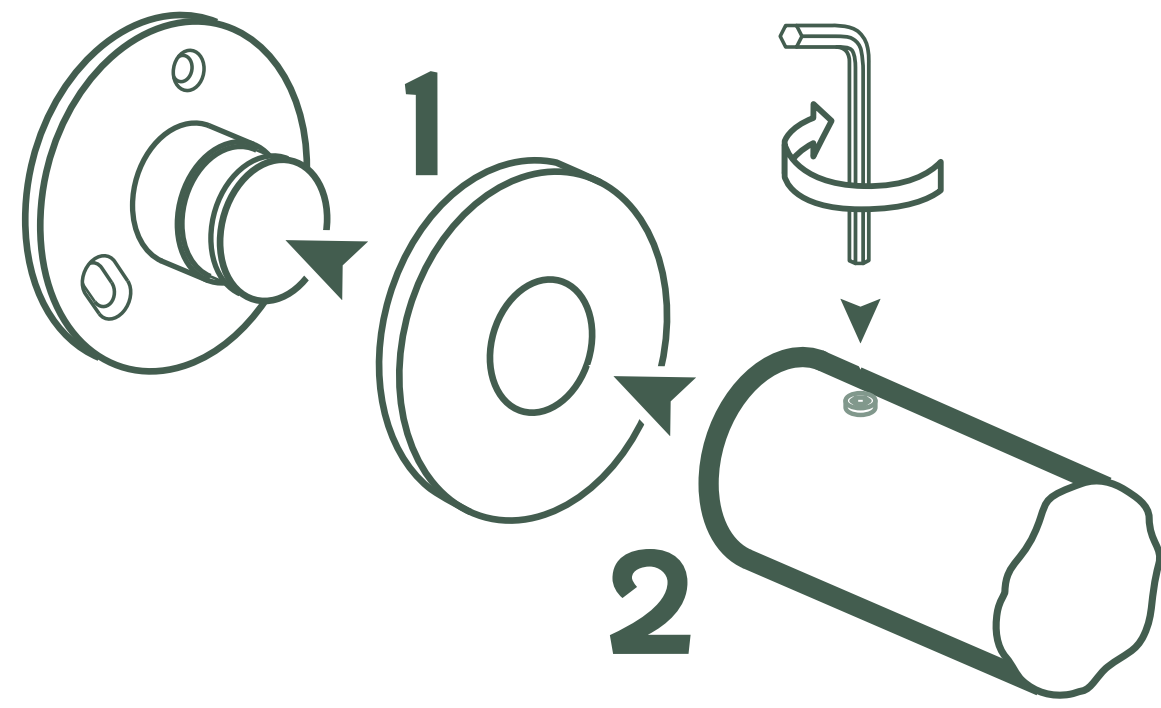


4 Spread all the brackets at the approximate mounting plate positions. Do not tight the fixating screws yet.

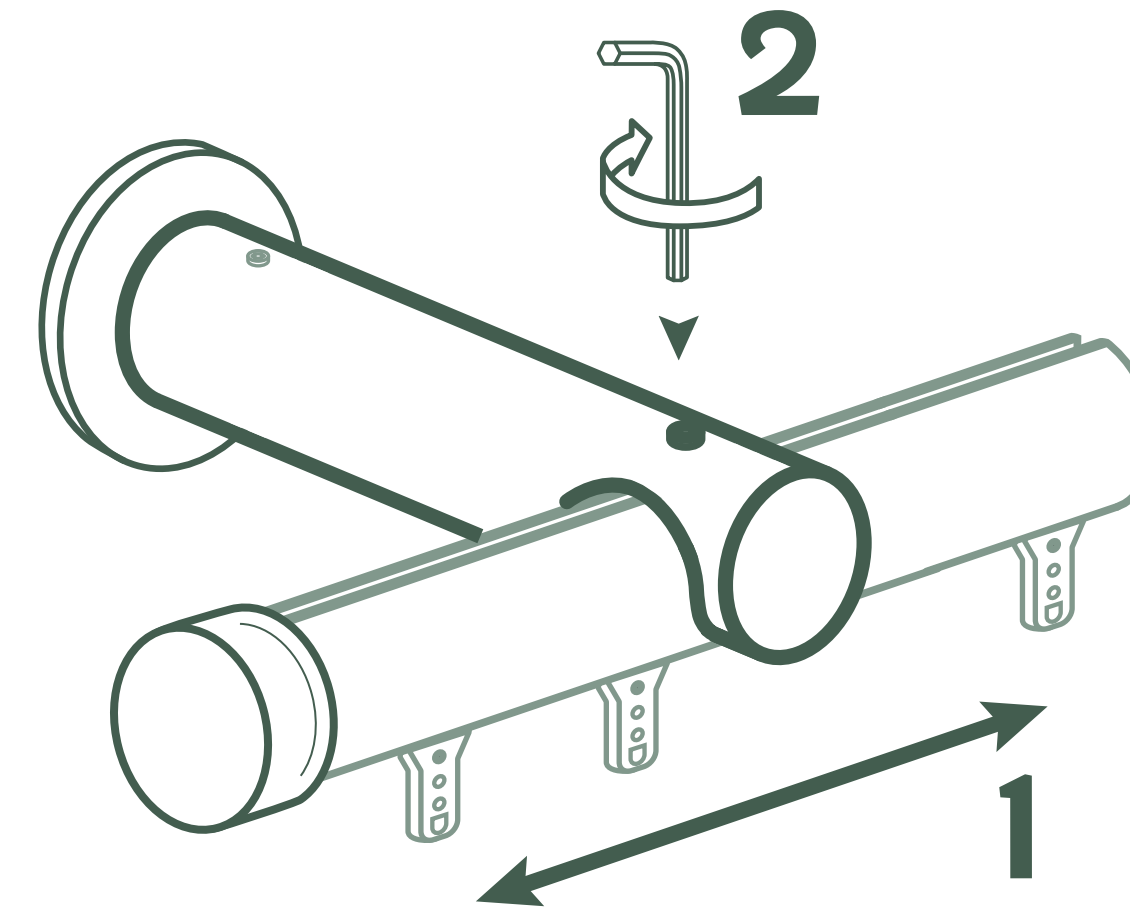


STEP 5 MOUNTING ROD TO THE WALL

1 Set the covers (1) on the mounting plates, then attach and then fix the brackets (2) with the Allen key.

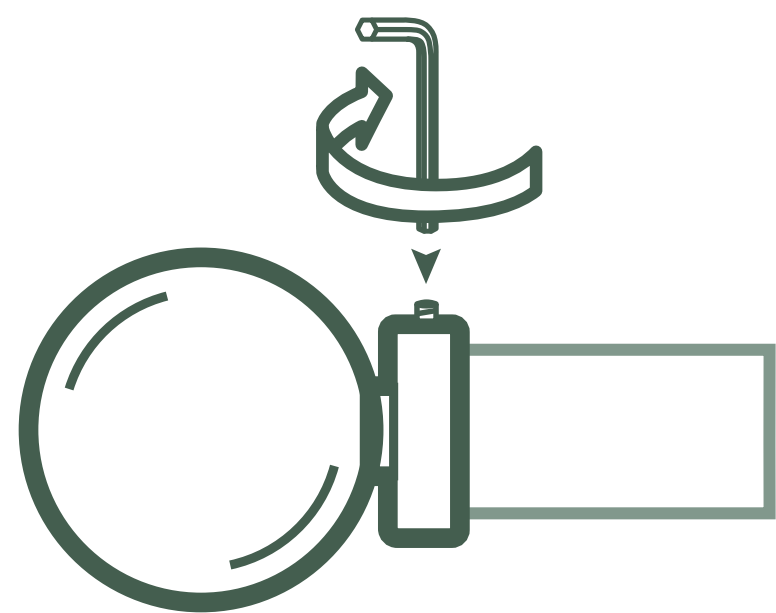


2 If needed, center the rod in the brackets (1) and secure it with the allen key (2)

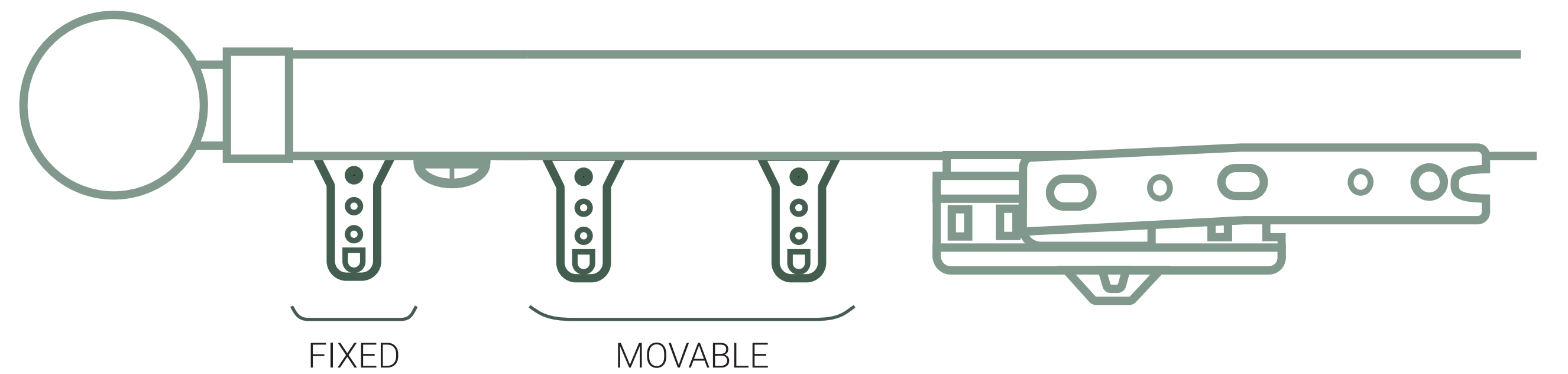


STEP 6 FINISHING TOUCHES

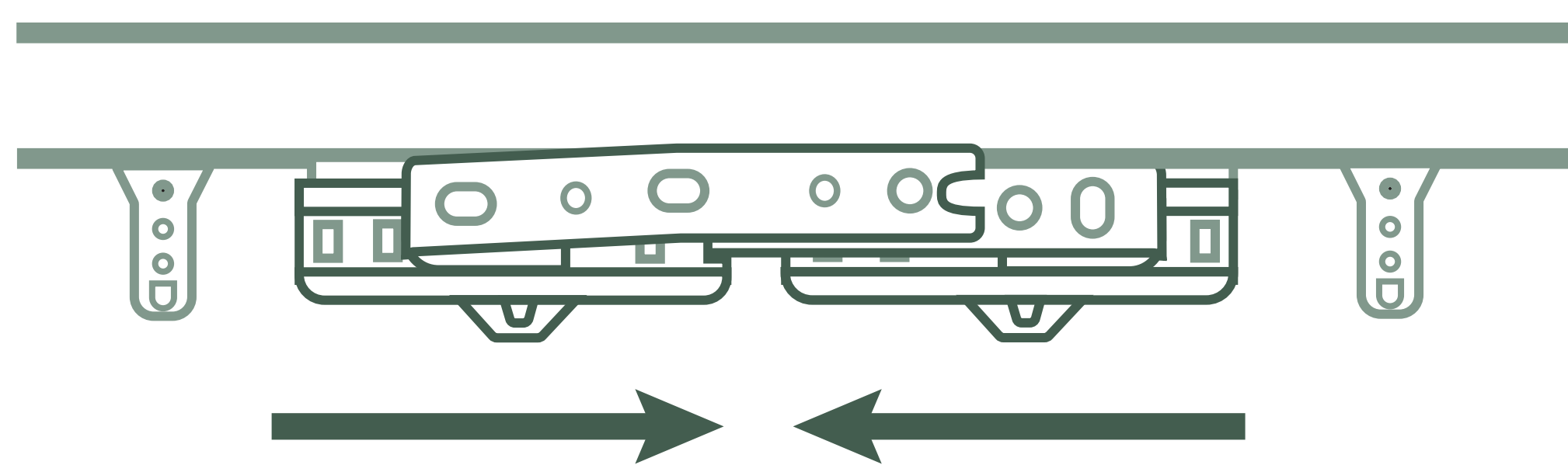
1 Secure the finials removed earlier.



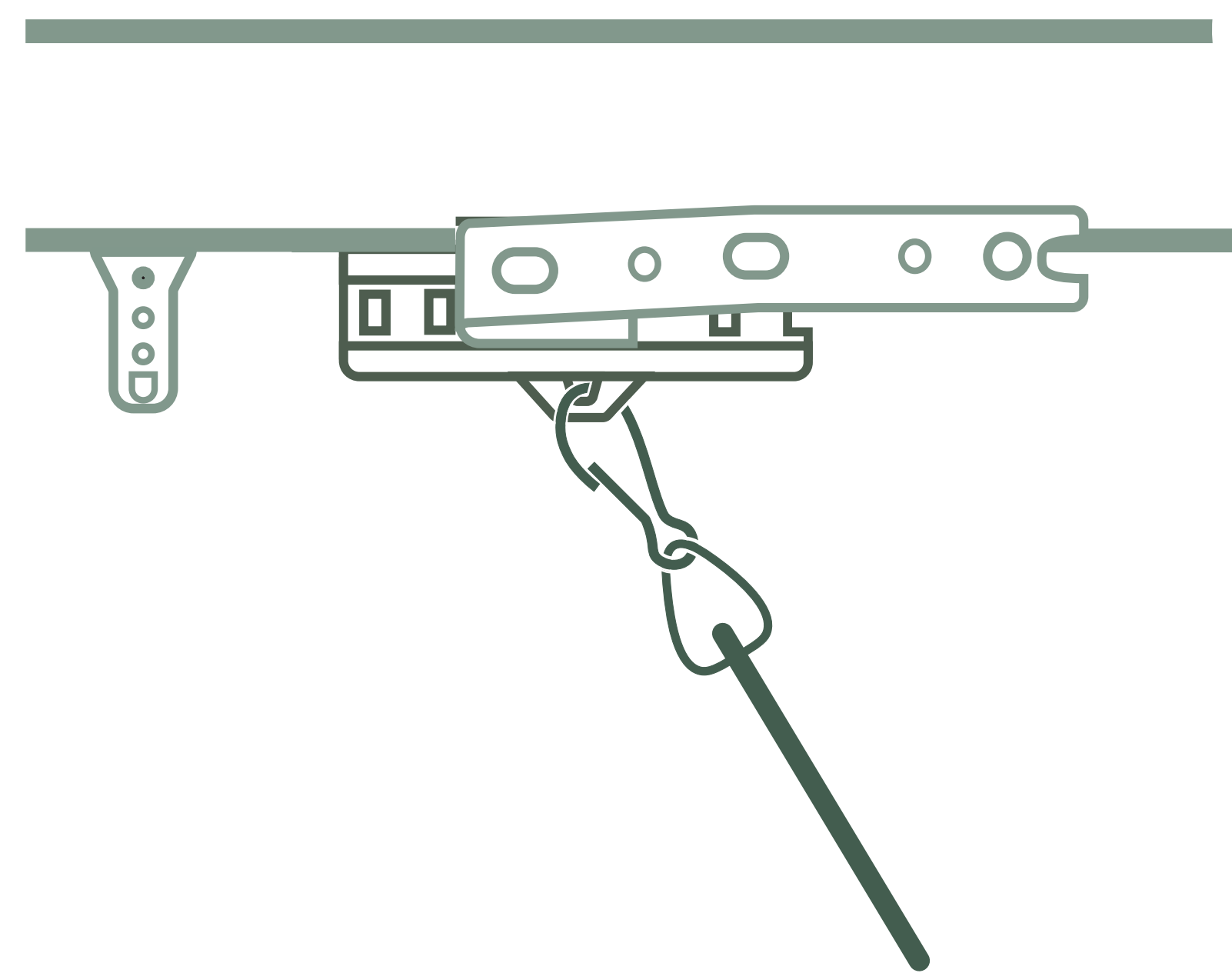
2 Check that the end carriers are secured (not moveable) and the rest of the carriers move freely along the track.



3 Check that the master carriers meet at the center of the track or reach the end for one-way tracks.



4 If purchased, attach wands to the master carriers.



CONGRATULATIONS, JOB WELL DONE!

STILL HAVE QUESTIONS? CUSTOMER CARE IS AVAILABLE AT 1.800.256.5005.

THANK YOU FOR CHOOSING REGAL DRAPES.

WE ARE PROUD TO MAKE YOUR DRAPES WITH CAREFUL ATTENTION TO EVERY DETAIL. WE HOPE YOU ENJOY YOUR DRAPES FOR MANY YEARS TO COME.