

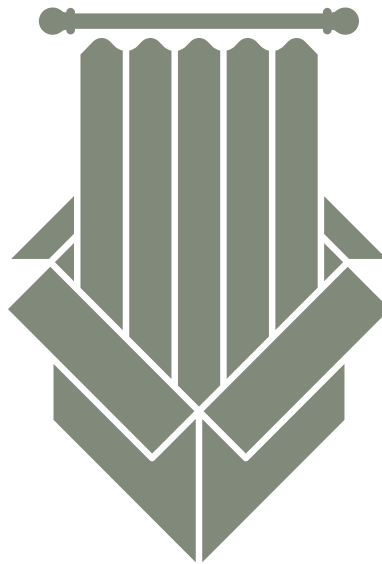


Somfy Motorized Track

Assembly, Installation & Programming Instructions

Ripple Fold Drapery

Ceiling or Wall Brackets



Let's get excited for your new drapes. Please take a few minutes to review these simple steps so your drapes will be hanging beautifully in no time.

Getting Started

Please read all instructions before you begin. If you should need help or have any questions, please call us at 800-256-5005 ext. 104.

Please note:

- Tracks longer than 96 inches are partially disassembled before shipping. Please follow the assembly instructions on how to prepare the track for installation.
- The ripple fold pendants are preinstalled on the back side of your drapes. The first several places and the last one is left empty and must be connected to the master carrier and the snap hook respectively.
- There is a single drapery pin attached to the return side of your drapes. This drapery pin should be connected to the wall hook.
- Your drapery track was not pre-programmed before shipping. Please install your track and mount the drapes before connecting and powering up the motor. Follow the simple programming instructions to record open and close drape positions in the motor's memory.

If you need to adjust either open or close positions or add a preferred middle position – please refer to the programming instructions.

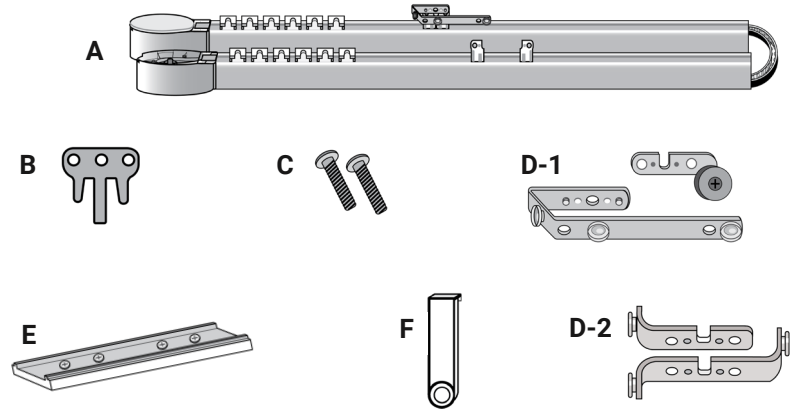
Recommended Installation Order

1. Reassemble the folded drapery track, if required.....	Page 2
2. Install the wall / ceiling brackets.	Page 4 / 6
3. Attach the track to the brackets.	Page 6
4. Mount the drapes to the track. Finish the ripple fold wave around the motor	Page 7
5. Attach the return drapery pin to the wall hook on the wall.	Page 8
6. Create the correct ripple fold wave through the drapes.	Page 8
7. Install the motor, connect the battery pack, or plug in the power cord.	Page 9
8. Using the Remote Control, program the open and close drape positions.	Page 9
9. Drapery Care.....	Page 11

Re-Assembling Folded Drapery Track

Track & assembly parts included in your package:

- Partly assembled Somfy™ Track (A)
- Master Carrier Fixing Plate (B)
- Carrier Arm Screws (C)
- Overlap (D-1) or Butt (D-2) Carrier Arm
- Rail Splice (Attached to the Rail) (E)
- Motor Hook (F)
- Assembly and Installation Instructions



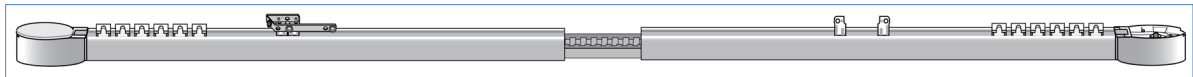
Tools required for assembly:

- Flat Head Screwdriver
- Phillips Head Screwdriver
- Hammer or Mallet

Re-assembling Folded Drapery Track Steps

Step 1

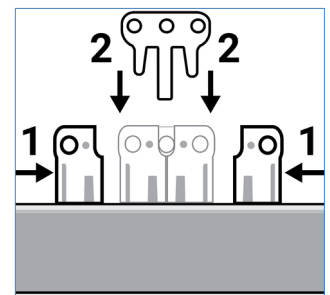
Carefully remove folded track (A) from the shipping box, unfold and place it on a flat surface. Remove the packaging material, and the securing tape.



Step 2

Slide the unassembled (separated) master carrier bodies together. This will close the gap between the separated track pieces.

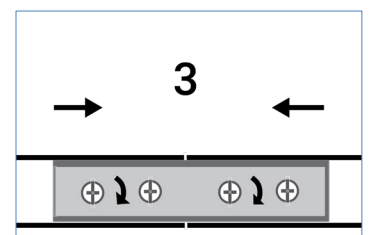
Next insert the **Fixing Plate (B)** into the two master carrier bodies.



Step 3

Locate **Rail Splice (E)** which is installed on the top side of the track. Loosen the holding screws. Using a hammer and a flat head screwdriver, gently tap the **Rail Splice (E)** centering it between the two joined rails and secure by tightening screws.

Make sure there is no gap between the parts of the track.

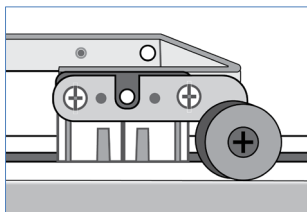


Re-assembling Folded Drapery Track Steps

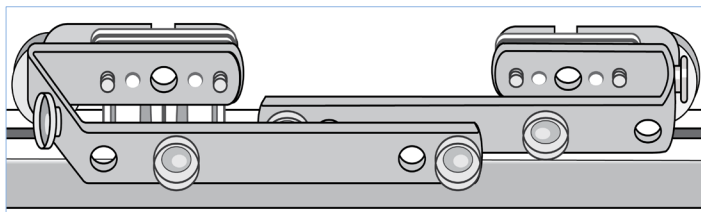
(Cont'd)

Step 4

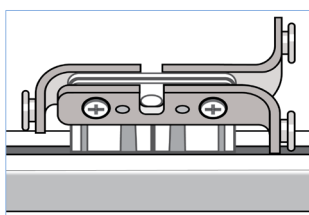
Attach **Carrier Arm (D)** (as pictured) to the joined master carrier bodies using the **Carrier Arm Screws (C)**.



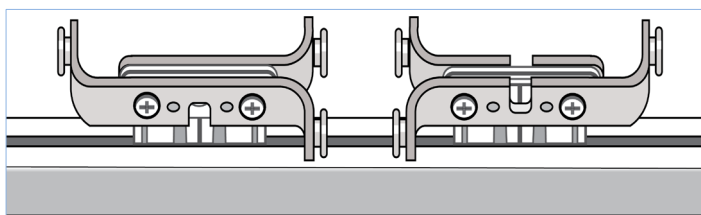
Overlap Carrier Arm – Back View



Overlap Carrier Arms – Front View, Center



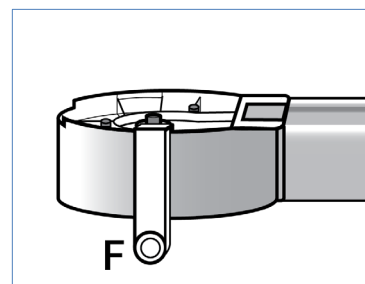
Butt Carrier Arm – Back View



Overlap Carrier Arms – Front View, Center

Step 5

Attach the **Motor Hook (F)** to the pulley.



Installing Somfy Motorized Track

Parts Included in Your Package

Drapery track, partially assembled for tracks 96" or longer.

Mounting Clips (A) - for ceiling mount.

Mounting Clips (A) & Wall Brackets (B) – for wall mount.

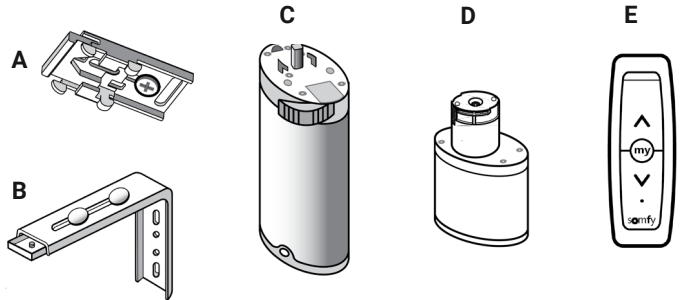
Motor (C)

Battery (D) – for WireFree tracks.

Remote Controller (E)

Battery Charger

Screws & Anchors



Tools required for track installation:

Drill with Phillips screwdriver bit

Pencil

Phillips head screwdriver

Metal tape measure

Flat head screwdriver

Level (for wall mount)

Step ladder

General Notes

Brackets should be installed 20"-25" apart, preferable where the wall studs or the ceiling joist are located. Please use the included screws if installing directly to the wall stud or the ceiling joist.

If brackets are installed on the Sheetrock – please use the included anchors. You can use anchors of your choice if they are rated to hold at least 50-60 lbs. on the typical Sheetrock. Please DO NOT INSTALL brackets without the anchors if there is no stud or joist behind.

Track Installation – Wall Mount (Ceiling Mount Instructions on Page 6)

Step 1 - Wall Mount – Marking Brackets Positions

Marking Bracket's Height

Most of the time we recommend centering on window or door. Determine the height of the top of the brackets and mark bracket height on the wall for all the brackets. Adjust as necessary to make sure they are all level and in a straight line.

The recommended method to determine height is to add 1 ¾ inches to the length of your drapery panel.

For example: if drapery panels are 84 inches long, the top of the brackets would be installed at 85 ¾ inches allowing a ¼" clearance above the floor.

If needed, please use the following formula to calculate the height where to put the mark on the wall for brackets installation:

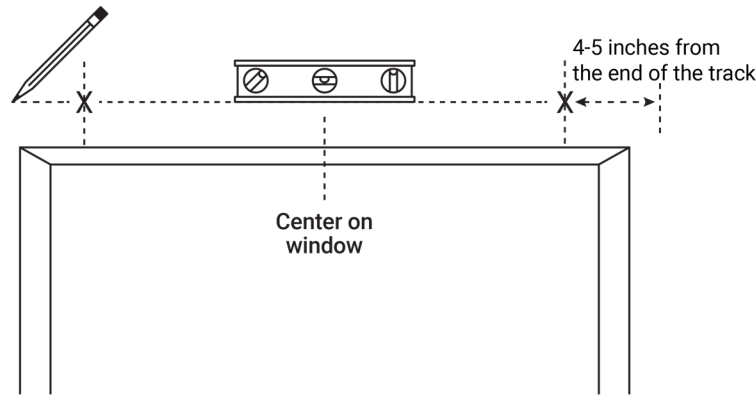
$$\begin{array}{ccccccc}
 \underline{\hspace{2cm}} & + & \underline{\hspace{2cm}} & + & 1\frac{1}{2}" & = & \underline{\hspace{2cm}} \\
 \text{Drape Length} & & \text{Clearance Between the Drape and the Floor} & & & & \text{Height of the Wall Marking} \\
 & & & & & & \text{(Align the Top of the} \\
 & & & & & & \text{Bracket with the Mark)}
 \end{array}$$

Track Installation – Wall Mount

(Cont'd)

Marking Bracket's Horizontal Placement

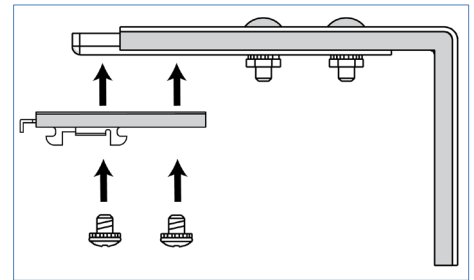
The side brackets should be installed at 4 - 5 inches in from the ends of the track. If your track has a splice, the center bracket should be at least 3.5 inches off the center cut because the splice will prevent to attach the mounting clip.



Step 2 – Assembling Wall Bracket

Use the Phillips head screwdriver to remove two front screws from the wall bracket (B) and use them to secure the mounting clip (A) to the wall bracket (B). Please see the final assembly in the picture below.

If needed, use the two back nuts to adjust the distance between the track and the wall.

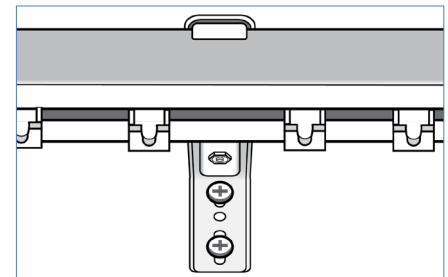


Step 3 – Mount Brackets to the Wall

For wood frame header or wall stud locations, drive provided screws through the bracket mounting holes directly into wall.

When studs are not located where bracket is installed, use drill with the Phillips bit to drive provided anchor into Sheetrock and then screws into the anchors. The provided anchors must be used to install brackets for standard Sheetrock.

For other wall types, use appropriately rated anchors (not included).

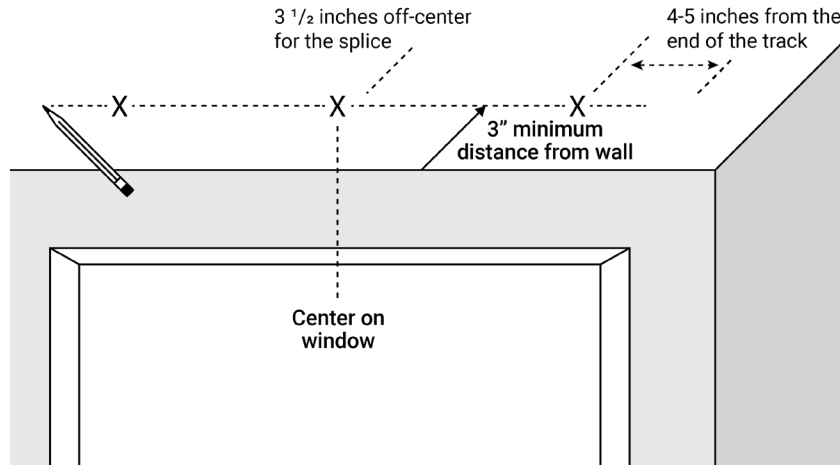


Track Installation – Ceiling Mount

Step 1 – Ceiling Mount – Marking Bracket positions

Most of the time we recommend centering on window or door. Measure the width of the track and mark the two end brackets approximately 4" - 5" in from the ends of the track, preferably on ceiling joists. Brackets should be a minimum of 3" from the wall. Evenly space the remaining brackets, preferably on ceiling joists, and place corresponding marks in a straight line.

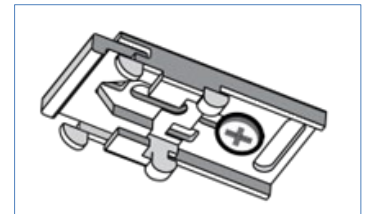
If your track has a splice, the center bracket should be at least 3.5 inch off the center cut because the splice will prevent to attach the mounting clip.



Step 2 – Mounting Brackets

For wood frame joist, drive provided screws through the bracket mounting holes directly into joist. When joists are not located where bracket is installed, use a drill with the Phillips bit to drive provided anchor into Sheetrock and then screws into the anchors. The provided anchors must be used to install brackets for standard Sheetrock.

For other wall types, use appropriately rated anchors (not included).

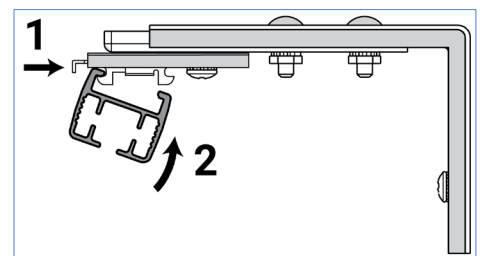


Attaching Track to the Brackets

Attach track to the brackets by leaning track onto front clips (1).

Using your thumbs, push the bracket in and rotate up to pop track into back clips (2). Press on the front of the mounting clip if needed to slightly move the front clips inside.

You will hear a click when track is set in place.



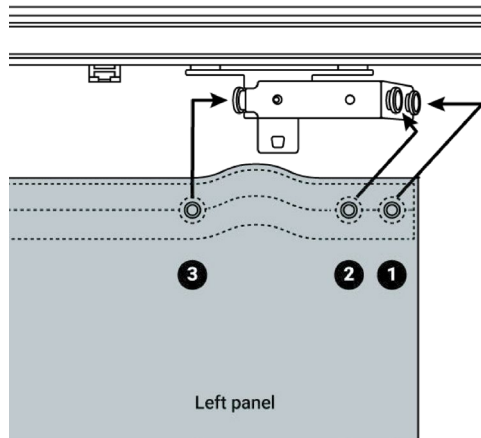
Mounting the Drapes

Step 1 – Attaching Drapes to Master Carriers

Begin by snapping the first two buttons on the leading edge to the master carrier.

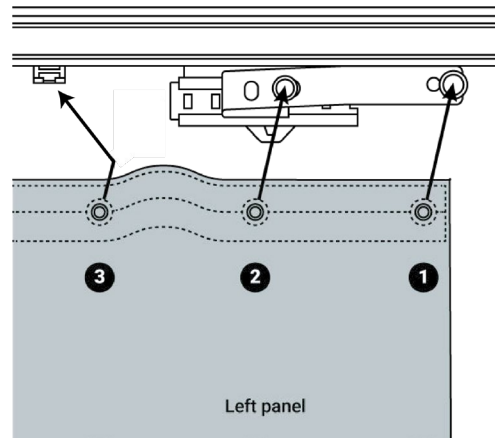
Butt Master Carriers

Snap the third snap into the snap on the side of the butt master carrier.



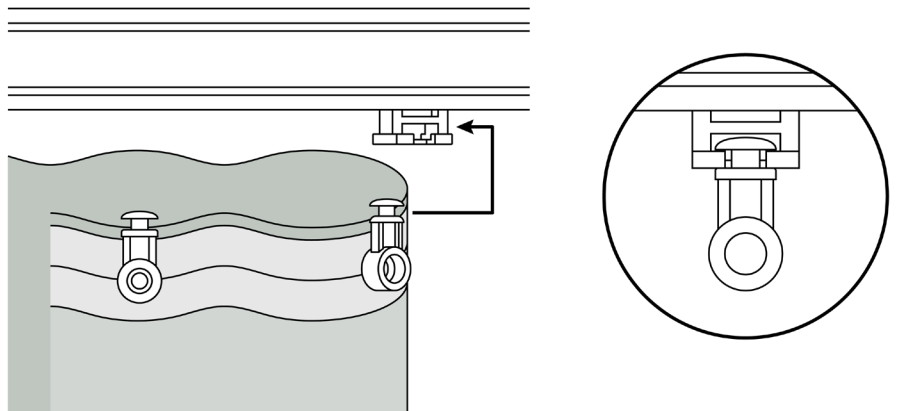
Overlap Master Carriers

Snap the third snap into the first carrier on the track.



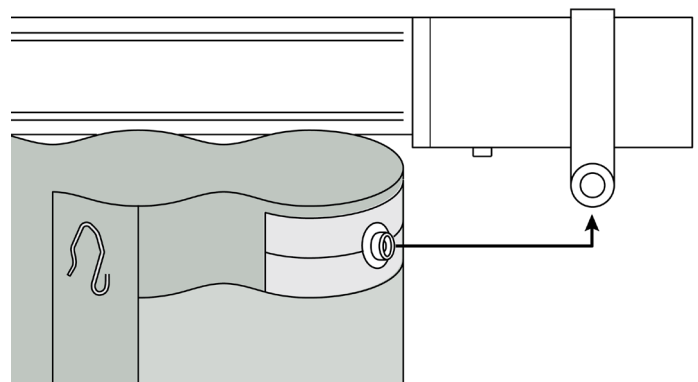
Step 2 - Attaching Pre-Snapped Pendants

Insert the remaining pre-snapped pendants onto the carriers. You should hear them click into place.



Step 3 – Attaching the Last Snap

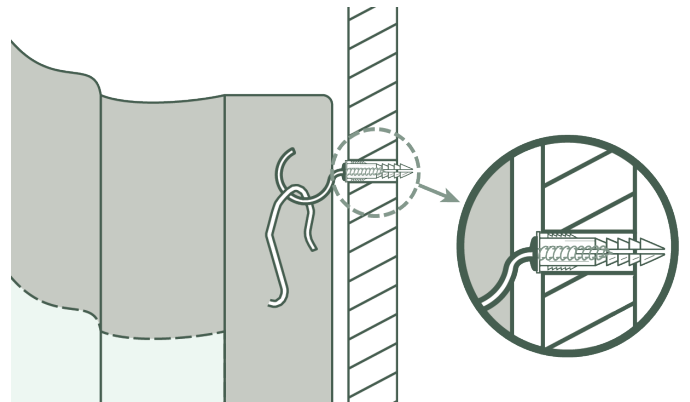
Install the last snap onto the motor hook (installed onto the motor pulley)



Step 4 – Connect Drapery Return to Wall

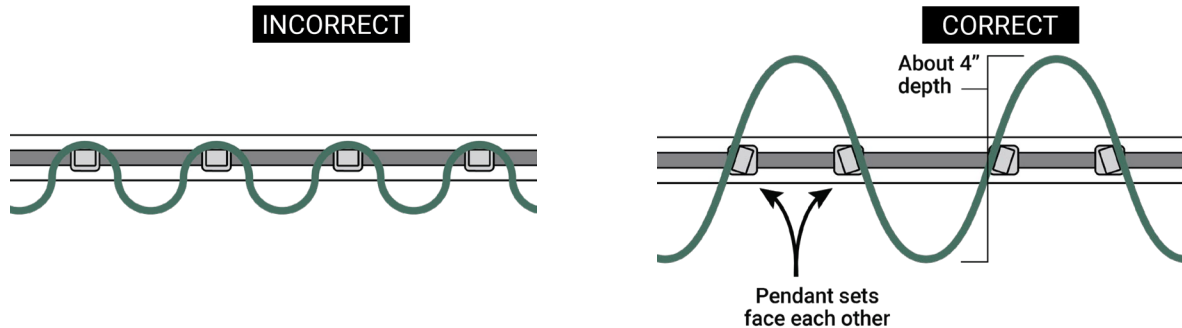
Affix the wall hook to the wall and attach the pre-installed drapery pin to the wall hook to create return. This will return the drape to the wall, concealing any side-light view. Drapery pins can be adjusted to desired return height.

Please note that it is recommended to pre-drill the pilot hole or install the #4 anchor first. Use a 1/16" drill bit for a pilot hole or 3/16" drill bit for the anchor.



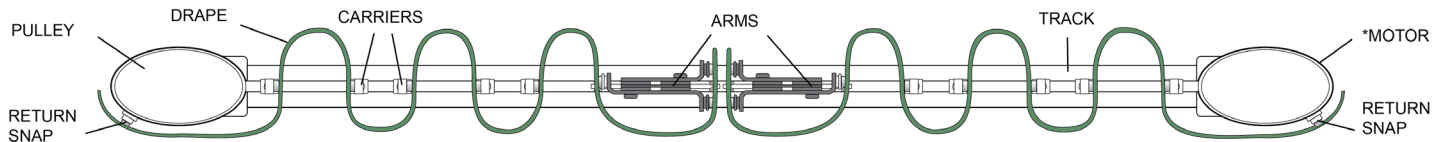
Creating Ripple Fold Wave

Once all pendants are connected and the last drapery pin is attached to the wall hook, gather the drapery by creating S-like folds. Start from the Master Carrier and work toward the other end. Dress the fabric into S folds by pushing towards wall and pulling out into room. Each set of two pendants should face each other. Each "S" should take up about 4 inches deep.

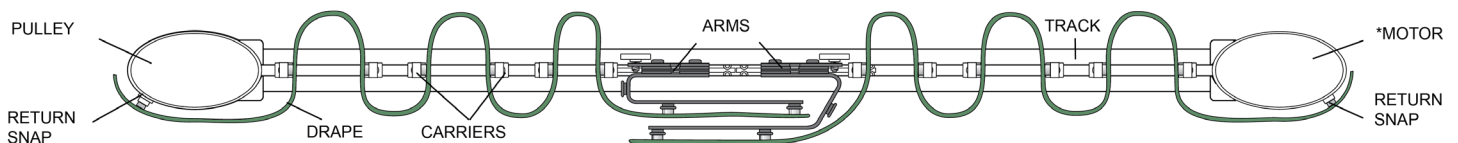


The final bottom-up view of the drape and track assembly should look as in the illustration below.

Butt Master Carriers





Overlap Master Carriers



Connecting and Programming the Motor

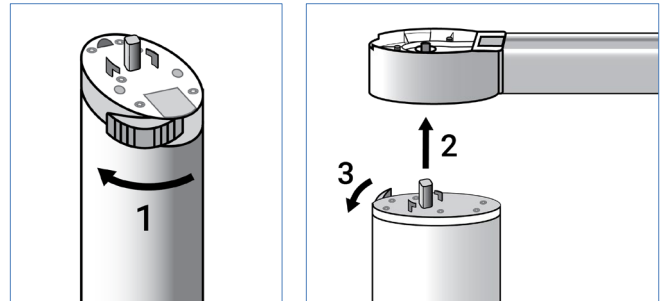
When the motor connected to the power source for the first time - it enters a programming mode. It is more convenient to program the motor right away without a delay. You can reprogram the motor or adjust the drape open and close positions at any time thereafter.

 Have your Remote Controller on hand to start the programming right away!

 Manually move drapery to a middle position along the track. This allows for movement of the drape in either direction.

Step 1 - Attaching the Motor

Unlock motor by moving plastic tab at the top of motor (1). Attach motor to track with the small twist (2) and lock tab into place (3).



Step 2 - Connecting Power to the Motor

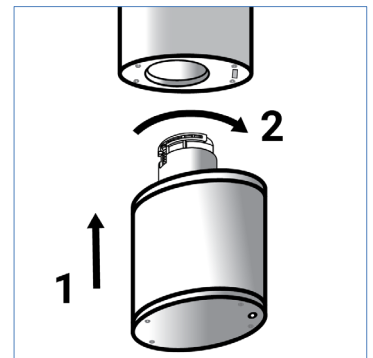
Battery Powered Irismo Motors.

Attach the battery to the bottom of the motor.

 Disconnect the power cord from the battery before programming.

Plug-in Glydea Motors.

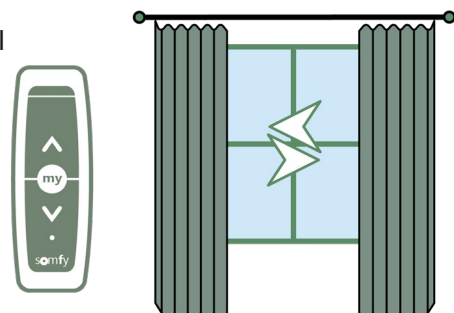
Plug in the motor's power cord to the wall outlet.



Programming the Open & Close Positions

Step 3 - Initiate Programming

Press & Hold the **OPEN/UP** and **CLOSE/DOWN** buttons simultaneously until the drapery jogs.

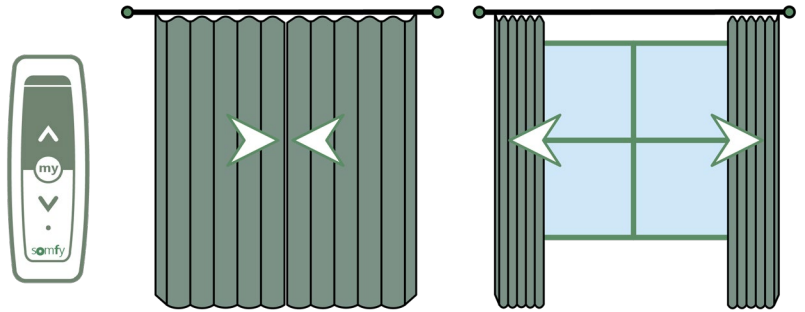


Connecting and Programming the Motor

(Cont'd)

Step 4 – Setting Limits

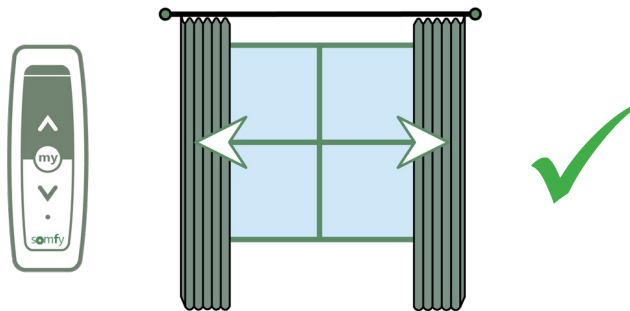
Briefly press **OPEN/UP** or **CLOSE/DOWN**, the drapery automatically runs to record both hard stop positions.



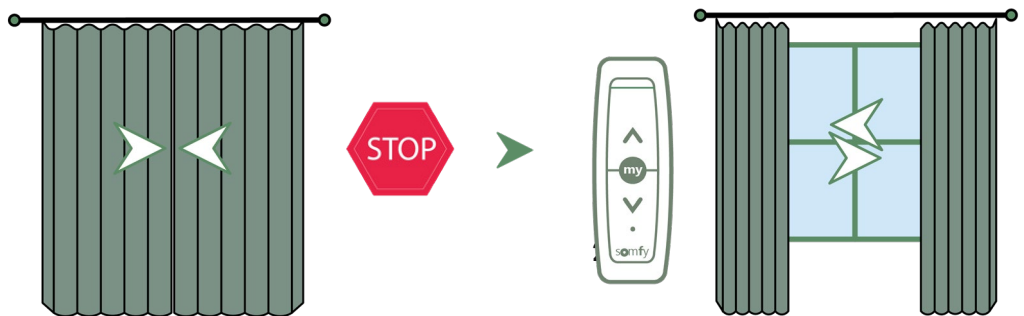
Step 5 - Check the Direction of Operation

Briefly press **OPEN/UP** button.

If the drapery opens, the direction of rotation is correct, go to **STEP 6**



If the drapery closes, the direction of rotation is incorrect, press the **MY** button until the drapery jogs: the direction of rotation has been modified.

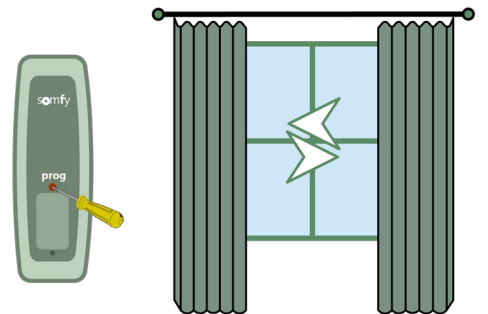


To confirm press the **OPEN/UP** button and check the direction of rotation again.

Step 6 - Recording the Remote Controller

Using a small pin, press & hold the Prog button on the back of the Remote Controller until the drapery jogs. The Remote Controller is now recorded. To operate the drapery, press the **OPEN/UP** or **CLOSE/DOWN** button.

The drapery is now in user mode.



Use and Maintenance

Use the next instructions to adjust the motor settings after the initial programming sequence is complete.

Resetting the End Limits

Readjusting the Open End Limit.

1. Press the **Open** button to open the drapes.
2. Simultaneously press and hold the **Open** and **Close** buttons until the drapes move.
3. Use the **Open** or **Close** buttons to move the drape to a new Open End limit position.
4. Press and hold the **My** button until the drapes move. The new Open position is set.

Readjusting the Close End Limit.

1. Press the **Close** button to close the drapes.
2. Simultaneously press and hold the **Open** and **Close** buttons until the drapes move.
3. Use the **Open** or **Close** buttons to move the drape to a new Close End limit position.
4. Press and hold the **My** button until the drapes move. The new Close position is set.

Setting Silent or Hi-SPEED Mode - *Glydea plug-in motors only*

Switching between the Silent or Hi-SPEED modes.

Slide the switch on the motor's end to either the Silent or Hi-SPEED setting. Follow the instructions below on how to adjust the speed in Hi-SPEED mode.



Draperies Care

Pardon my wrinkles, I've been through a long trip. Most of my wrinkles can be shaken out and will release after I've been hanging for a week or two.

- Once the draperies are installed and dressed, most wrinkles and folds will hang out on their own within 1 - 2 weeks.
- A garment steamer may also be used to help smooth out the wrinkles. Please take care not to overheat the fabric while removing wrinkles. You also can use a wrinkle release spray like Downy® Wrinkle Releaser.
- Certain fabrics like silks or linens have natural characteristics that steaming will not remove.

Please contact Customer Care at 1-800-256-5005 if you have additional questions how to care for your drapes.

Questions? Comments?

Our dedicated Customer Care Team is available to answer any questions you may have about your drapery or installation. Contact Us at 1-800-256-5005 ext. 104 or email customercare@regaldrapes.com. 800-256-5005 | RegalDrapes.com



Thank you for choosing Regal Drapes. We are proud to make your drapes with careful attention to every detail. We hope you enjoy your drapes for many years to come.

The Regal Drapes Team