

Pleated Drapery

Installation Instructions

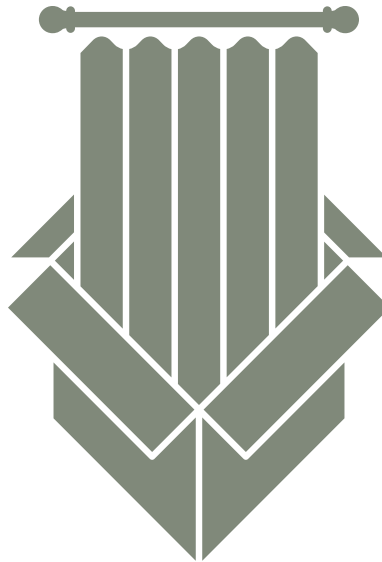
For Drapery Rod with Rings

Pinch Pleat

Tailored Pleat

Inverted Pleat

Goblet



Let's get excited for your new drapes. Please take a few minutes to review these simple steps so your drapes will be hanging beautifully in no time.

Before You Begin

Please note that:

- Drapery pins are pre-installed on the backside of pleats. Your drapes have either Eurohook or metal drapery pins installed. Both pin types can be adjusted to raise or lower the drape height. Please check that no pins have detached during shipping, and you have the matching number of rings on your rod.
- If your order includes hardware, it arrives in a separate package. Finish the hardware installation before attaching drapes.
- The wall hooks needed for attaching the outer side of your drapes to the wall are included with these instructions.
- If you ordered tiebacks, an additional wall hook will be included for each tieback. You will need a hammer, a pencil and, a measuring tape to position and install the wall hooks.

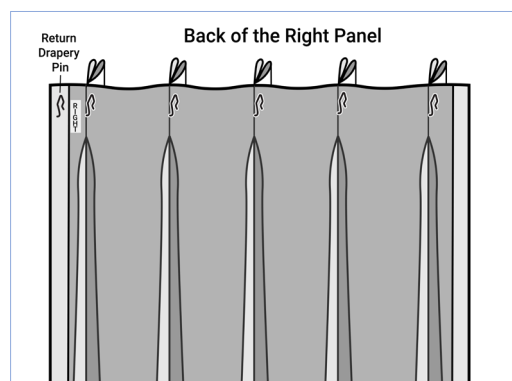
Please contact Customer Care at 1-800-256-5005 if you need assistance.

Pleated Drapery Installation Steps

Step 1 – Unpacking Drapes

Unpack all drapes. Sort drapes for different windows if you have more than one pair made from the same fabric.

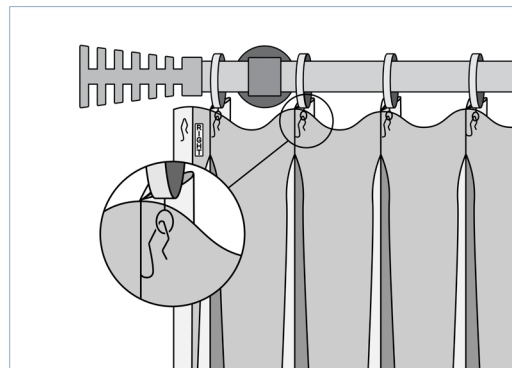
Pair panels will be labeled Left or Right on the return side. Also, the return side of the panels has an additional drapery pin for the wall hook installation.



Step 2 – Mounting Drapes

Typically, the outermost rings on the rod are placed between the finial and the bracket.

Start installing your drapes from this outer ring first, attach the drapery pin from the outer pleat to this outer ring, and continue toward the center. Leave the return drapery pin on the outer edge for the wall hook.



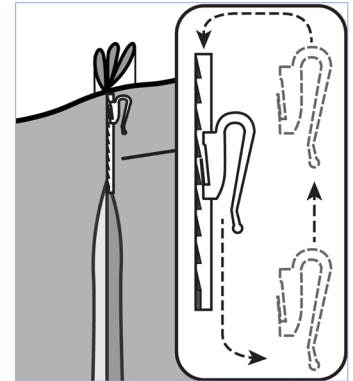
Pleated Drapery Installation Steps

(Cont'd)

Step 3 – Adjusting Drapery Pins Height (Optional)

Adjust the drapery pin position if needed. The Eurohook pins can be adjusted in 1/5" increments. Pull the pin down and reinsert it from the top. Stop at the desired height.

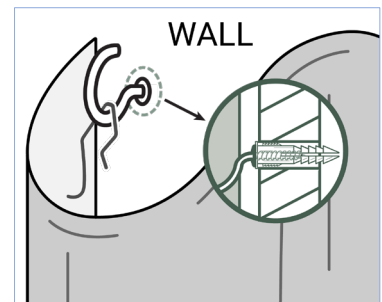
To adjust the metal drapery pins, simply take it out and reinsert it higher or lower, using the original insertion hole as a guide. Be aware of the sharp pin end.



Step 4 – Installing Wall Hook

Use included wall hooks and screw them into the wall at the height of the drapery pins. Choose a wall hook location that creates a finished look for the last fold and blocks light from seeping between the drape and the wall.

Please note that it is recommended to pre-drill the pilot hole or install the #4 anchor first. Use a 1/16" drill bit for a pilot hole or 3/16" drill bit for the anchor.

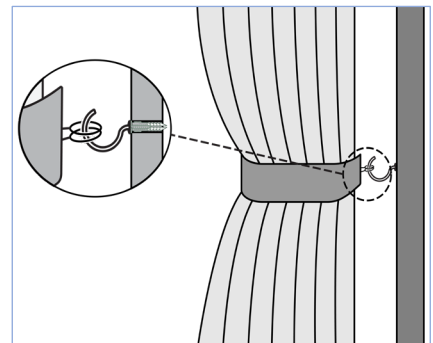


Step 5 – Tiebacks Installation (optional)

We recommend installing your tieback approximately halfway down the height of your drapes. Wrap tieback around the drape and adjust the height up or down to find the perfect location.

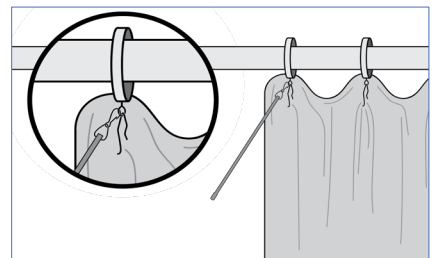
When you find the perfect height for the tieback, mark the location and install the wall hook by the mark. Pre-drill the pilot hole or install the #4 anchor first. Use a 1/16" drill bit for a pilot hole or 3/16" drill bit for the anchor.

Attach the second wall hook on the other side at the same height if you have a pair.



Step 6 – Attaching Drapery Wand (optional)

Attach wand to the first leading (center) ring as shown in the picture.



How to Dress Pleated Drapes

The following steps apply to the Pinch Pleat, Tailored Pleat and Goblet drapery styles.

Dressing drapes will create memory in the fabric so every time you open or close your drapes the fabric will be folded similarly. Dressing the folds usually takes 2 - 3 days for lighter fabric. For heavier fabric or drapes with interlining it might take up to two weeks. During this time, your drapes should stay in the open position, and we recommend not closing them to allow folds to create memory.

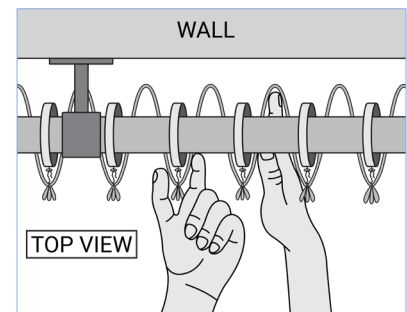
Step 1 – Start Dressing

Start with the outermost ring because it is locked between the finial and the bracket.

Step 2

Hold adjusting pleats close and press the fabric in between the pleats toward the wall. Straighten the folds below by running your fingers down the pleat sides to finish the fold.

Continue creating the folds behind the pleats all the way toward the center of the drape.

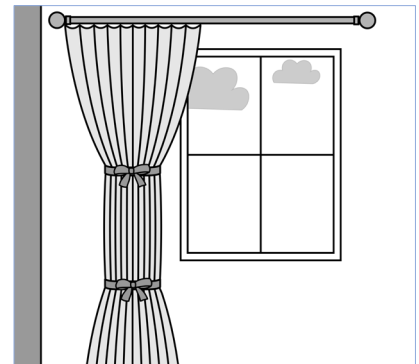


Step 3 (Optional)

Optionally, use a ribbon or light rope to tie the folds on the top, close to the drapery pins.

While the top of the drape is tied together, make the folds all the way down to the floor and tie the drape at the middle and bottom. The folds will form all the way from top to bottom and the panel will keep its shape whether open or closed.

Keep your drape tied for a few days.



Drapery Care

Once the draperies are installed and dressed, most wrinkles and folds will hang out on their own within 1 - 2 weeks.

A garment steamer may also be used to help smooth out the wrinkles. Please take care not to overheat the fabric while removing wrinkles. You also can use a wrinkle release spray like Downy® Wrinkle Releaser.

Certain fabrics like silks or linens have natural characteristics that steaming will not remove.

Please contact Customer Care at 800-256-5005 if you have additional questions on how to care for your drapes.



Thank you for choosing Regal Drapes. We are proud to make your drapes with careful attention to every detail. We hope you enjoy your drapes for many years to come.

The Regal Drapes Team